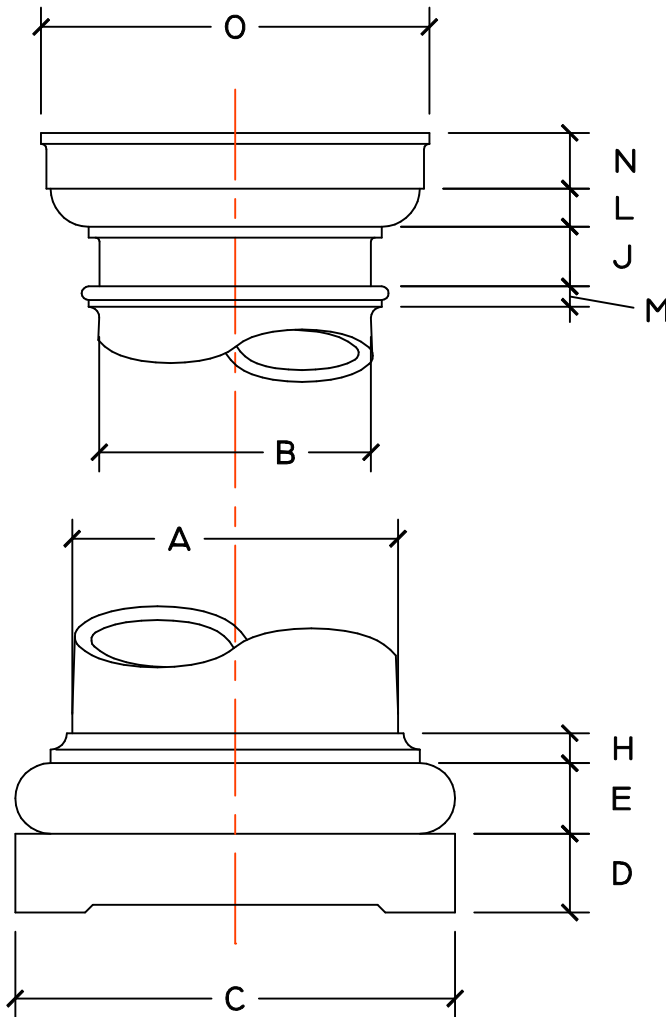


BOT. DIA	TOP DIA	SQUARE PLINTH		ROUND BASE		TOTAL BASE	ROUND CAP			SQUARE ABACUS		TOTAL CAP
		C	D	E	H		M	J	L	N	O	
8	6 1/2	10 3/4	1 7/8	1 3/4	5/8	2 3/8	9/16	1 1/2	1	1 3/8	9 3/8	2 3/8
10	8 1/2	13 3/8	2 3/8	2 1/8	3/4	2 7/8	11/16	2 1/8	1 1/4	1 3/4	12 1/8	3
12	10	16 1/8	2 3/4	2 3/8	7/8	3 1/4	13/16	2 1/8	1 3/8	2	14 3/8	3 3/8
14	12	18 3/4	3 3/8	3	1	4	7/8	2 5/8	1 5/8	2 3/8	17 1/8	4
16	13 1/2	21 1/2	3 7/8	3 3/8	1 1/8	4 1/2	1	3	1 7/8	2 3/4	19 1/4	4 5/8
18	15	24 1/4	4 1/4	3 7/8	1 1/2	5 3/8	1 3/16	3 3/8	2 1/8	3	21 1/2	5 1/8
20	17	27	4 3/4	4 1/4	1 3/4	6	1 5/16	3 3/4	2 1/4	3 3/8	24 1/4	5 5/8
22	18 1/2	29 3/4	5 1/4	4 3/4	2 1/8	6 7/8	1 3/8	4	2 1/2	3 3/4	26 1/2	6 1/4
24	20	32 1/2	5 3/4	5 1/4	2 1/4	7 1/2	1 9/16	4 1/2	2 3/4	4 1/8	28 3/4	6 7/8
26	22	35	6 1/4	5 5/8	2 5/8	8 1/4	1 11/16	4 3/4	3	4 3/8	31 1/2	7 3/8
28	23 1/2	38	6 3/4	6	2 3/4	8 3/4	1 13/16	5 1/8	3 1/4	4 3/4	33 3/8	8
30	25	40 1/2	7 1/4	6 1/2	2 3/4	9 1/4	1 7/8	5 1/2	3 1/2	5 1/8	35 3/4	8 5/8
36	30	48 3/4	8 3/4	7 3/4	3 5/8	11 3/8	2 5/16	6 1/2	4 1/4	6 1/4	42 3/4	10 1/2



DATE	REV	UNLESS OTHERWISE SPECIFIED DIMENSIONS ARE IN INCHES	TOLERANCES		CONTRACT NUMBER		First Class Building Products, Inc. Tel: 888.514.8141 Fax: 770.514.0731 website: www.firstclassbp.com	
			DECIMAL	ANGULAR	FINISH	ORIGINATOR		DATE
			.XX	±.1	±.5°	T. HARTLEY		02/06/05
			.XXX	±.030	FRACTION ±1/8	CHECKER		
DO NOT SCALE DRAWING			PROJECT ENGINEER		TITLE		TUSCAN STYLE CAP & BASE DIMENSIONS	
DESCRIPTION			MANUFACTURING ENGINEER		DRAWING NUMBER			
REVISIONS			PROGRAM MANAGEMENT		SCALE			
SIMILAR TO			ACT WT	CALC WT	RELEASE DATE		REV	
N/A			N/A	N/A	NONE		—	
			SHEET 1 OF					