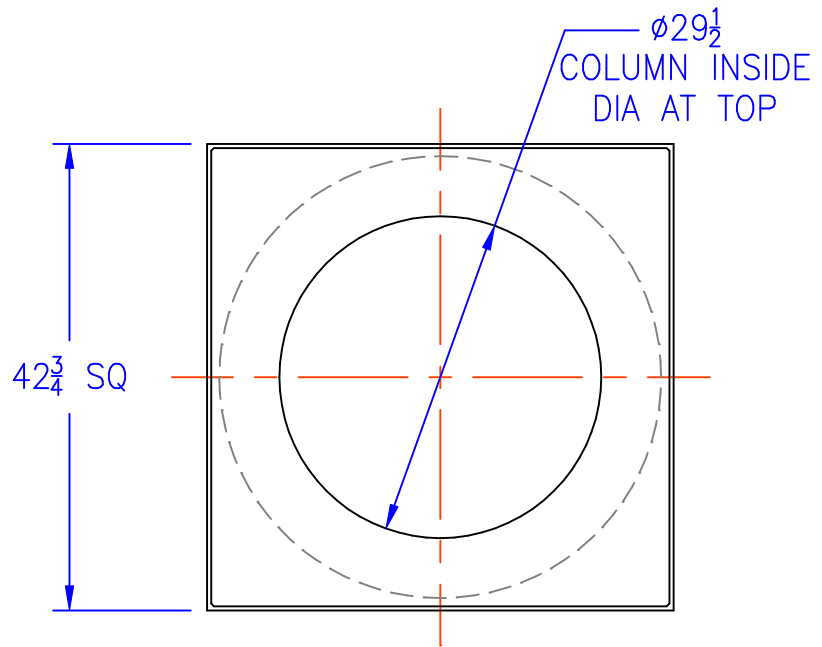


'L' OVERALL LENGTH	'B' BASE DIAMETER	WEIGHT IN LBS.
20'-0"	35 9/16"	430
22'-0"	35 3/4"	439
24'-0"	36"	450



PLAN VIEW

**36" DIAMETER COLUMN - TUSCAN**

**36" COLUMN SPECIFICATIONS:**

WALL THICKNESS: .150  
 LOAD BEARING CAPACITY: 35,000 LBS (AXIALLY)  
 NECK DIAMETER: 30 INCHES  
 TOP (BUILD-UP) DIA: 32 INCHES

DATE	REV	DESCRIPTION	REVISIONS	CONTRACT NUMBER	ORIGINATOR	DATE	TITLE
					T. HARTLEY	11/11/04	FIBERGLASS COLUMN DETAIL 36" DIAMETER TUSCAN CAP & BASE
					CHECKER		SIZE A
					PROJECT ENGINEER		DRAWING NUMBER
					MANUFACTURING ENGINEER		REV
					SIMILAR TO	ACT WT	CALC WT
					N/A	N/A	N/A
					PROGRAM MANAGEMENT		SCALE NONE
							RELEASE DATE
							SHEET 1 OF

First Class Building Products, Inc.  
 Tel: 888.514.8141  
 Fax: 770.514.0731  
 website: www.firstclassbp.com