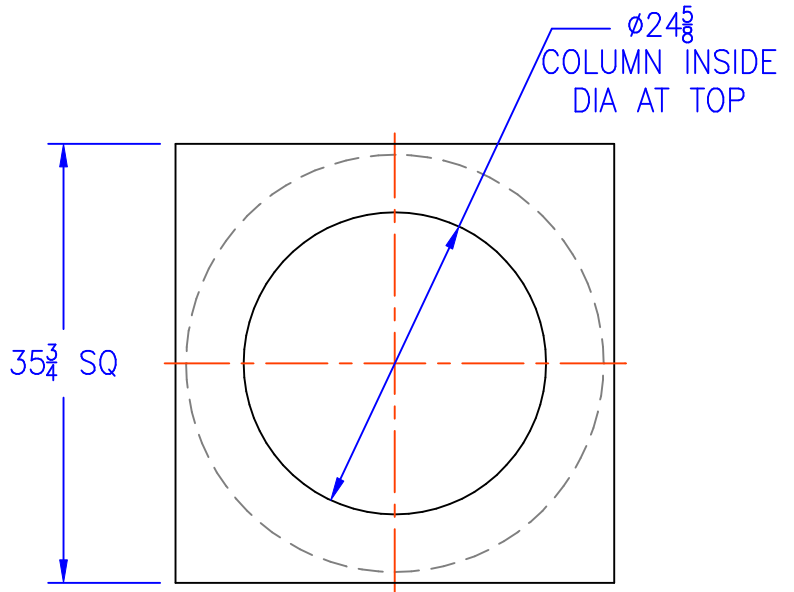


'L' OVERALL LENGTH	'B' BASE DIAMETER	WEIGHT IN LBS.
20'-0"	29 13/16"	287
22'-0"	29 13/16"	288
24'-0"	29 15/16"	299
25'-0"	30"	345



PLAN VIEW

30" COLUMN SPECIFICATIONS:

WALL THICKNESS: .187  
 LOAD BEARING CAPACITY: 35,000 LBS (AXIALLY)  
 NECK DIAMETER: 25 INCHES  
 TOP (BUILD-UP) DIA: 27 INCHES

30" DIAMETER COLUMN – TUSCAN

DATE	REV	CONTRACT NUMBER		First Class Building Products, Inc. Tel: 888.514.8141 Fax: 770.514.0731 website: www.firstclassbp.com	
UNLESS OTHERWISE SPECIFIED DIMENSIONS ARE IN INCHES TOLERANCES DECIMAL ±.1 ANGLULAR ±5° .XX ±.06 FRACTION ±1/8 .XXX ±.030 DO NOT SCALE DRAWING		ORIGINATOR	DATE	TITLE FIBERGLASS COLUMN DETAIL 30" DIAMETER TUSCAN CAP & BASE	
		T. HARTLEY	11/11/04		
REVISIONS		CHECKER	PROJECT ENGINEER	SIZE	
TREATMENT		N/A		A	
FINISH		N/A		DRAWING NUMBER	
SIMILAR TO		ACT WT	CALC WT	PROGRAM MANAGEMENT	REV
N/A		N/A	N/A	SCALE	NONE
				RELEASE DATE	SHEET 1 OF