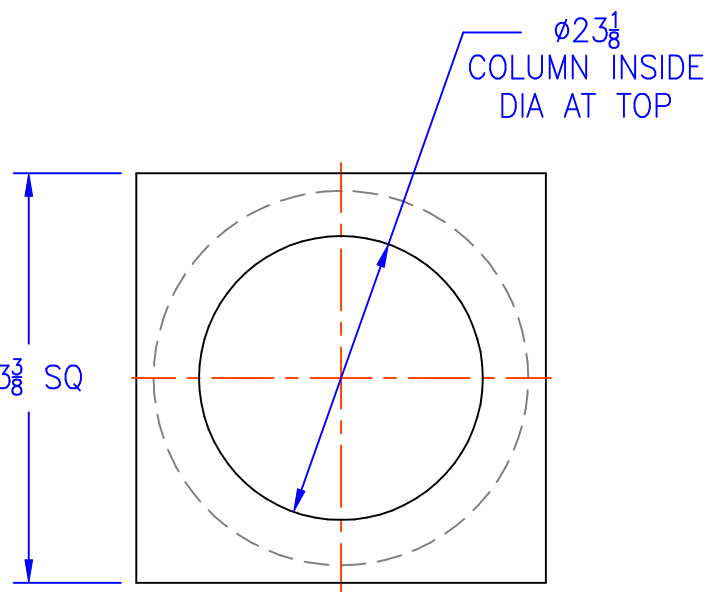


'L' OVERALL LENGTH	'B' BASE DIAMETER	WEIGHT IN LBS.
20'-0"	27 13/16"	235
22'-0"	27 7/8"	248
24'-0"	28"	259



PLAN VIEW

28" COLUMN SPECIFICATIONS:

- WALL THICKNESS: .125 (1/8")
- LOAD BEARING CAPACITY: 35,000 LBS (AXIALLY)
- NECK DIAMETER: 23 1/2 INCHES
- TOP (BUILD-UP) DIA: 25 1/2 INCHES

28" DIAMETER COLUMN – TUSCAN

REVISIONS	UNLESS OTHERWISE SPECIFIED DIMENSIONS ARE IN INCHES			CONTRACT NUMBER		First Class Building Products, Inc. Tel: 888.514.8141 Fax: 770.514.0731 website: www.firstclassbp.com
	TOLERANCES			ORIGINATOR	DATE	
	DECIMAL	ANGULAR	FINISH	T. HARTLEY	11/11/04	
	.XX ±.1	±.5"	✓	CHECKER		
.XXX ±.06	FRACTION	±1/8	PROJECT ENGINEER		TITLE	
.XXX ±.030	±1/8		MANUFACTURING ENGINEER		FIBERGLASS COLUMN DETAIL	
DO NOT SCALE DRAWING			PROGRAM MANAGEMENT		28" DIAMETER	
SIMILAR TO			ACT WT	CALC WT	TUSCAN CAP & BASE	
N/A			N/A	N/A	SIZE	
					A	
					DRAWING NUMBER	
					SCALE	
					NONE	
					RELEASE DATE	
					SHEET 1 OF	