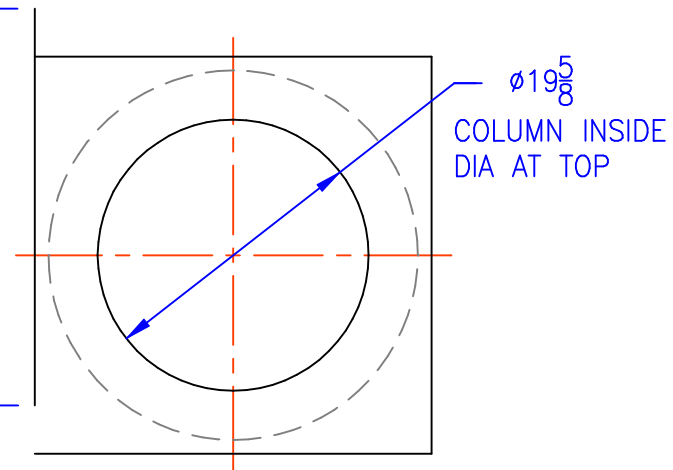


'L' OVERALL LENGTH	'B' BASE DIAMETER	WEIGHT IN LBS.
10'-0"	23 3/8"	129
12'-0"	23 7/16"	136
13'-0"	23 7/16"	119
14'-0"	23 1/2"	126
16'-0"	23 9/16"	139
18'-0"	23 5/8"	146
20'-0"	24"	172
22'-0"	23 13/16"	183
23'-0"	24"	183
24'-0"	23 3/4"	192
26'-0"	24"	203



PLAN VIEW

**24" COLUMN SPECIFICATIONS:**

WALL THICKNESS: .125 (1/8")  
 LOAD BEARING CAPACITY: 30,000 LBS (AXIALLY)  
 NECK DIAMETER: 20 INCHES  
 TOP (BUILD-UP) DIA: 20 3/4 INCHES

**24" DIAMETER COLUMN - TUSCAN**

DATE	REV	CONTRACT NUMBER		First Class Building Products, Inc. Tel: 888.514.8141 Fax: 770.514.0731 website: www.firstclassbp.com	
UNLESS OTHERWISE SPECIFIED DIMENSIONS ARE IN INCHES		ORIGINATOR		DATE	
TOLERANCES		T. HARTLEY		11/11/04	
DECIMAL ±.1		CHECKER			
ANGULAR ±.5°		PROJECT ENGINEER			
FRACTION ±1/8"		MANUFACTURING ENGINEER			
DO NOT SCALE DRAWING		PROGRAM MANAGEMENT			
TREATMENT N/A		SIMILAR TO		DRAWING NUMBER	
FINISH N/A		ACT WT		REV	
		CALC WT		SCALE NONE	
		N/A		RELEASE DATE	
		N/A		SHEET 1 OF	