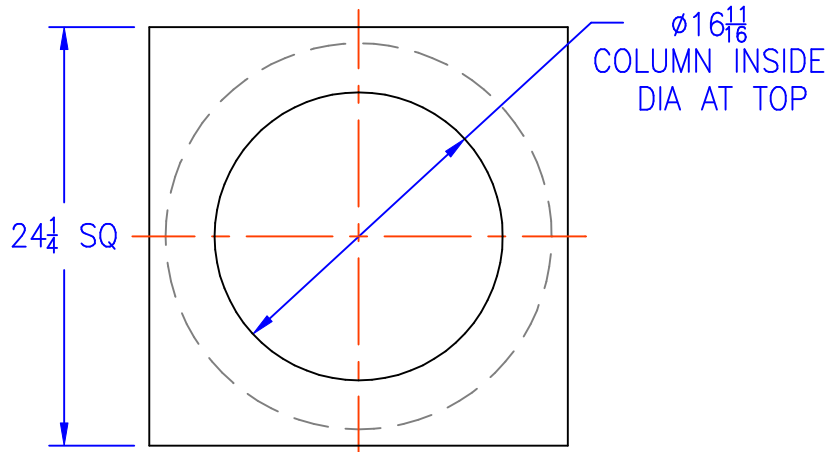


'L' OVERALL LENGTH	'B' BASE DIAMETER	WEIGHT IN LBS.
10'-0"	20"	76
12'-0"	19 11/16"	87
14'-0"	19 3/4"	99
15'-0"	19 3/4"	104
16'-0"	19 3/4"	110
18'-0"	20"	125
20'-0"	20"	131
22'-0"	19 15/16"	145
24'-0"	20"	156



PLAN VIEW

20" COLUMN SPECIFICATIONS:

WALL THICKNESS: .125 (1/8")
 LOAD BEARING CAPACITY: 26,000 LBS (AXIALLY)
 NECK DIAMETER: 17 INCHES
 TOP (BUILD-UP) DIA: 17 3/4 INCHES

20" DIAMETER COLUMN - TUSCAN

DATE	REV	CONTRACT NUMBER		First Class Building Products, Inc. Tel: 888.514.8141 Fax: 770.514.0731 website: www.firstclassbp.com	
UNLESS OTHERWISE SPECIFIED DIMENSIONS ARE IN INCHES		ORIGINATOR		DATE	
TOLERANCES		T. HARTLEY		11/11/04	
DECIMAL	ANGULAR	CHECKER			
.X ±.1	±5'				
.XX ±.06	FRACTION	PROJECT ENGINEER		TITLE	
.XXX ±.030	±1/8			FIBERGLASS COLUMN DETAIL	
DO NOT SCALE DRAWING		MANUFACTURING ENGINEER		20" DIAMETER	
		PROGRAM MANAGEMENT		TUSCAN CAP & BASE	
DESCRIPTION		SIMILAR TO		SIZE	
REVISIONS		N/A		A	
		ACT WT		DRAWING NUMBER	
		N/A			
		CALC WT		REV	
		N/A			
		N/A		SCALE NONE	
				RELEASE DATE	
				SHEET 1 OF	