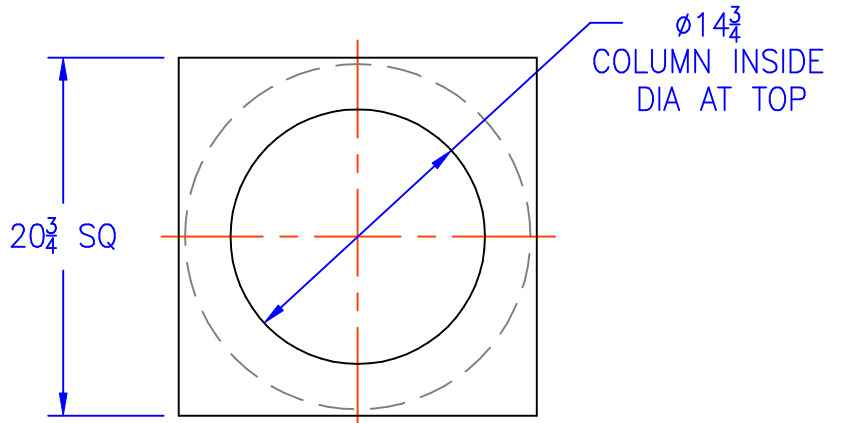


'L' OVERALL LENGTH	'B' BASE DIAMETER	WEIGHT IN LBS.
10'-0"	17 7/8"	69
11'-0"	17 7/8"	73
12'-0"	18"	82
14'-0"	17 3/4"	87
16'-0"	17 3/4"	98
18'-0"	17 13/16"	108
19'-0"	17 13/16"	115
20'-0"	18"	118



PLAN VIEW

18" COLUMN SPECIFICATIONS:

WALL THICKNESS: .125 (1/8")
 LOAD BEARING CAPACITY: 24,000 LBS (AXIALLY)
 NECK DIAMETER: 15 INCHES
 TOP (BUILD-UP) DIA: 15 5/8 INCHES

18" DIAMETER COLUMN - TUSCAN

REVISIONS DESCRIPTION DATE REV	UNLESS OTHERWISE SPECIFIED DIMENSIONS ARE IN INCHES TOLERANCES DECIMAL ±.1 ANGLULAR ±5' FINISH .XX ±.06 FRACTION ±1/8 .XXX ±.030 ±1/8 DO NOT SCALE DRAWING			CONTRACT NUMBER First Class Building Products, Inc. Tel: 888.514.8141 Fax: 770.514.0731 website: www.firstclassbp.com	
	ORIGINATOR T. HARTLEY			DATE 11/11/04	
	CHECKER			PROJECT ENGINEER	
	FINISH N/A			MANUFACTURING ENGINEER	
SIMILAR TO N/A			ACT WT N/A		
CALC WT N/A			PROGRAM MANAGEMENT		
TITLE FIBERGLASS COLUMN DETAIL 18" DIAMETER TUSCAN CAP & BASE			SIZE A		
DRAWING NUMBER			REV		
SCALE NONE			RELEASE DATE		
SHEET 1 OF			REV		