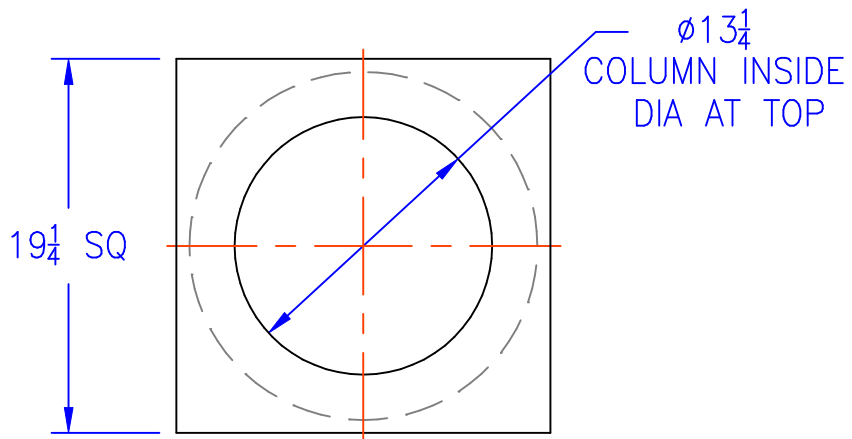


'L' OVERALL LENGTH	'B' BASE DIAMETER	WEIGHT IN LBS.
8'-0"	15 13/16"	50
9'-0"	15 15/16"	53
10'-0"	15 15/16"	57
12'-0"	15 15/16"	65
14'-0"	15 13/16"	76
16'-0"	16"	84
18'-0"	15 13/16"	93
20'-0"	16"	103



PLAN VIEW

**16" COLUMN SPECIFICATIONS:**

WALL THICKNESS: .125 (1/8")  
 LOAD BEARING CAPACITY: 22,000 LBS (AXIALLY)  
 NECK DIAMETER: 13 1/2 INCHES  
 TOP (BUILD-UP) DIA: 14 INCHES

**16" DIAMETER COLUMN - TUSCAN**

DATE	REV	UNLESS OTHERWISE SPECIFIED DIMENSIONS ARE IN INCHES		CONTRACT NUMBER		First Class Building Products, Inc. Tel: 888.514.8141 Fax: 770.514.0731 website: www.firstclassbp.com	
		TOLERANCES		ORIGINATOR	DATE	TITLE FIBERGLASS COLUMN DETAIL 16" DIAMETER TUSCAN CAP & BASE	
		DECIMAL	ANGULAR	T. HARTLEY	11/11/04		
		.XX ±.1	±.5°	CHECKER			
.XXX ±.06	FRACTION	PROJECT ENGINEER		SIZE A		DRAWING NUMBER	
.XXX ±.030	±1/8"	MANUFACTURING ENGINEER		SCALE NONE		RELEASE DATE	
DO NOT SCALE DRAWING		SIMILAR TO	ACT WT	CALC WT	PROGRAM MANAGEMENT	SHEET 1 OF	
		N/A	N/A	N/A			