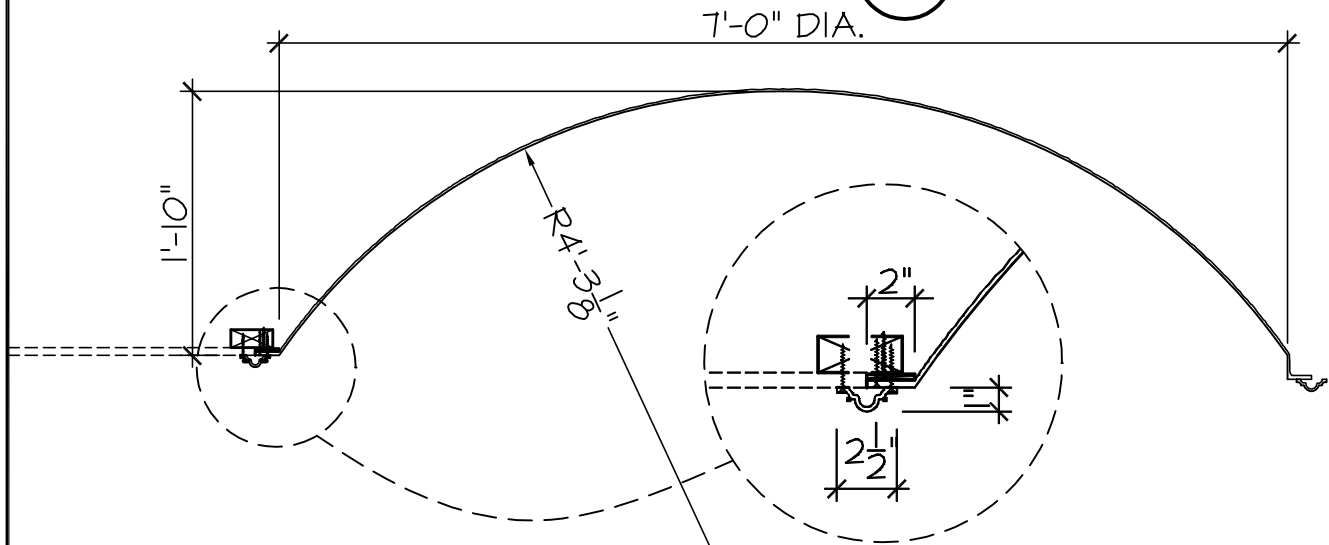


**1A**

**REFLECTED PLAN VIEW**

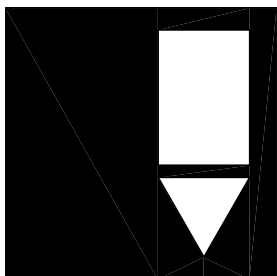
SCALE : 1/2" = 1'-0"



**1B**

**DETAIL SECTION**

SCALE : 3/4" = 1'-0"



**FIRST CLASS  
BUILDING  
PRODUCTS**

1418 FENWICK DRIVE  
MARIETTA, GA 30064  
Phone 770.514.8141  
Fax 770.514.0731

PROJECT: <b>FIRST CLASS</b>	
<b>BUILDING PRODUCTS</b>	
JOB NO:	
TITLE: <b>GFRP DOME</b>	
TITLE: <b>7'-0" DIAMETER</b>	
SCALE: <b>AS SHOWN</b>	DRAWN BY: <b>LT</b>

SHEET NO. <b>D-FC580</b>
PAGE <b>8 OF 9</b>