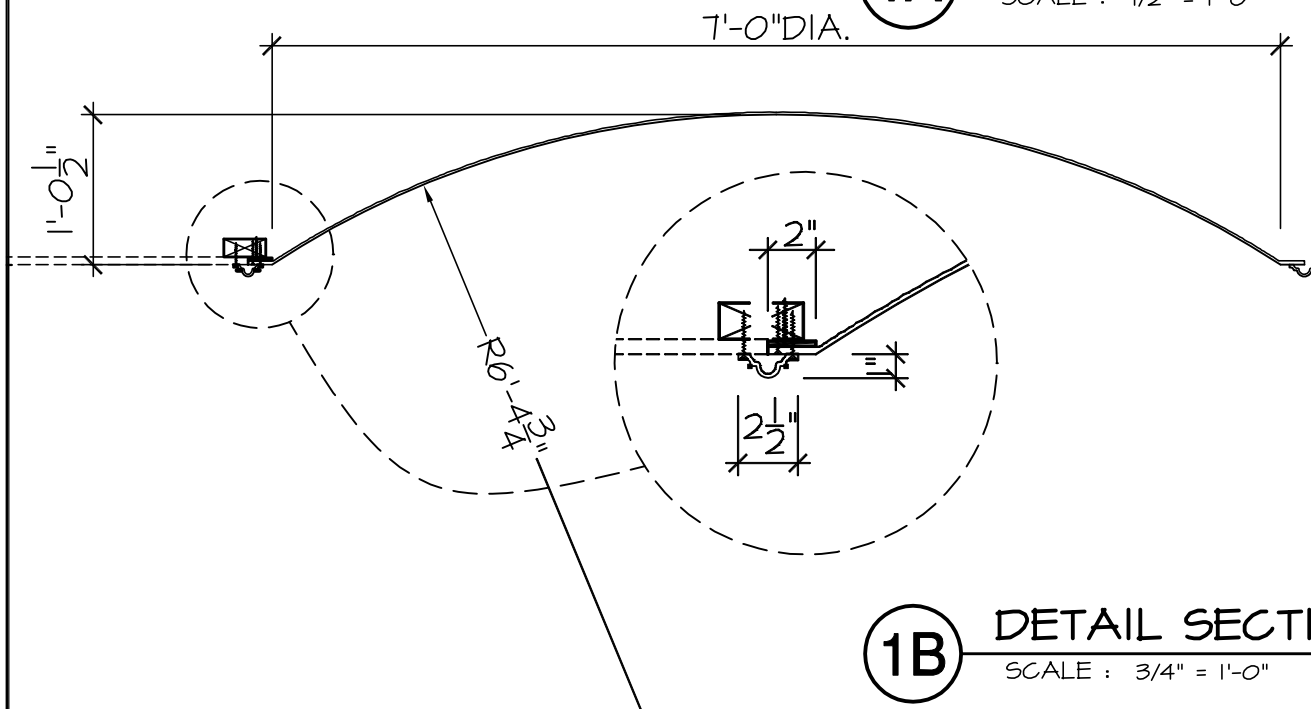


1A

**REFLECTED
PLAN VIEW**

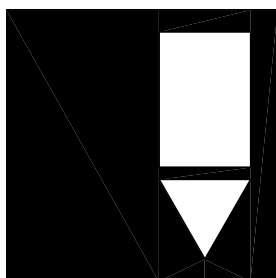
SCALE : 1/2" = 1'-0"



1B

DETAIL SECTION

SCALE : 3/4" = 1'-0"



**FIRST CLASS
BUILDING
PRODUCTS**

1418 FENWICK DRIVE
MARIETTA, GA 30064
Phone 770.514.8141
Fax 770.514.0731

PROJECT: FIRST CLASS		SHEET NO. D-FC590
BUILDING PRODUCTS		
JOB NO:		PAGE 9 OF 9
TITLE: GFRP DOME		
TITLE: 7'-0" DIAMETER		
SCALE: AS SHOWN	DRAWN BY: LT	