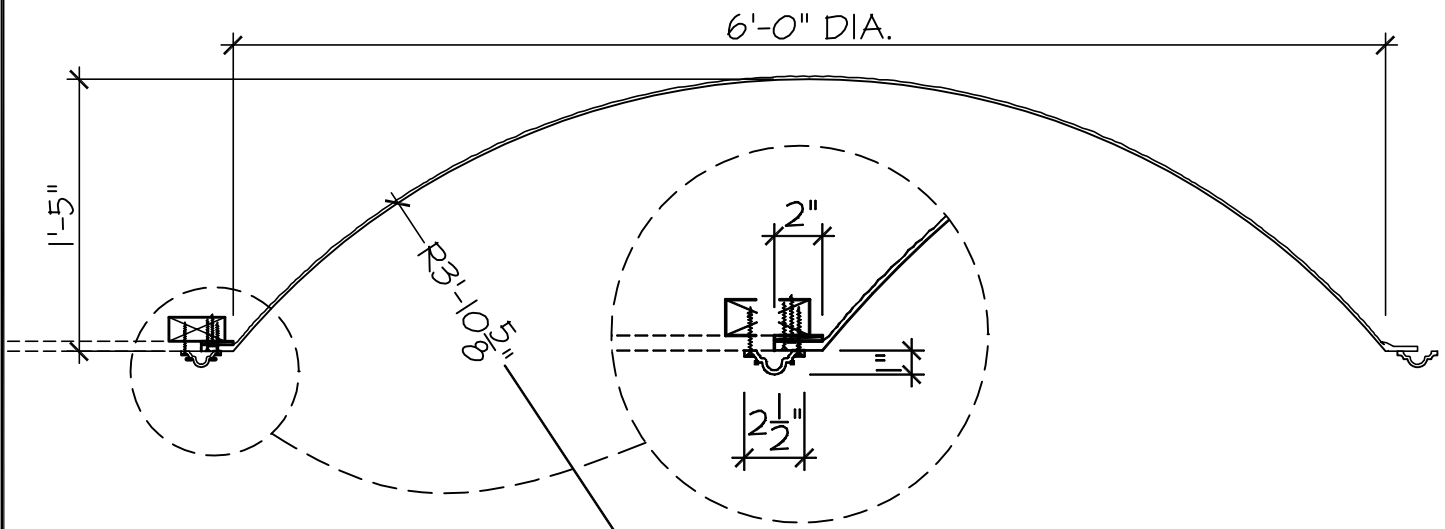


1A

**REFLECTED
PLAN VIEW**

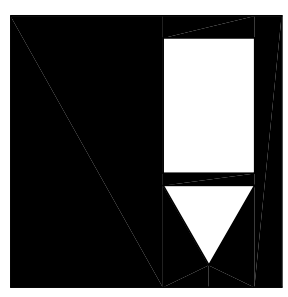
SCALE : 1/2" = 1'-0"



1B

DETAIL SECTION

SCALE : 1" = 1'-0"



**FIRST CLASS
BUILDING
PRODUCTS**

1418 FENWICK DRIVE
MARIETTA, GA 30064
Phone 770.514.8141
Fax 770.514.0731

PROJECT: FIRST CLASS	
BUILDING PRODUCTS	
JOB NO:	
TITLE: GFRP DOME	
TITLE: 6'-0" DIAMETER	
SCALE: AS SHOWN	DRAWN BY: LT

SHEET NO. D-FC560
PAGE 6 OF 9