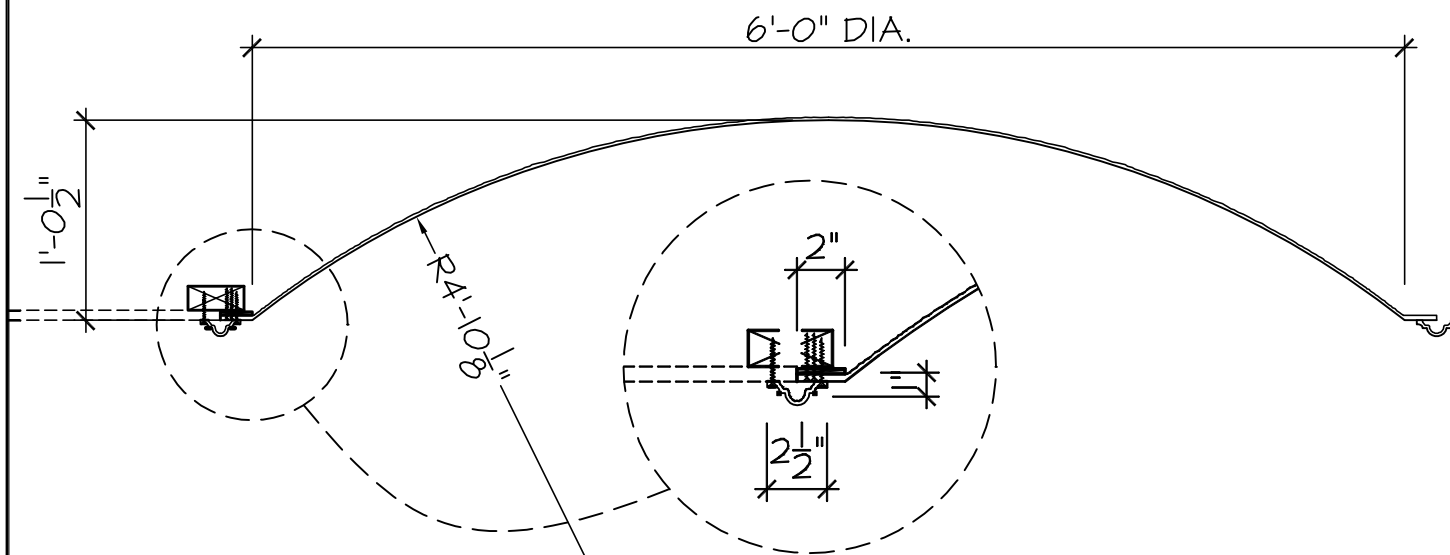


**1A**

**REFLECTED  
PLAN VIEW**

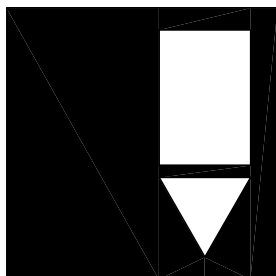
SCALE : 1/2" = 1'-0"



**1B**

**DETAIL SECTION**

SCALE : 1" = 1'-0"



**FIRST CLASS  
BUILDING  
PRODUCTS**

1418 FENWICK DRIVE  
MARIETTA, GA 30064  
Phone 770.514.8141  
Fax 770.514.0731

PROJECT:		<b>FIRST CLASS</b>	SHEET NO.	
		<b>BUILDING PRODUCTS</b>		<b>D-FC570</b>
JOB NO:			PAGE	
TITLE:		<b>GFRP DOME</b>		<b>7 OF 9</b>
TITLE:		<b>6'-0" DIAMETER</b>		
SCALE:	<b>AS SHOWN</b>	DRAWN BY:	<b>LT</b>	