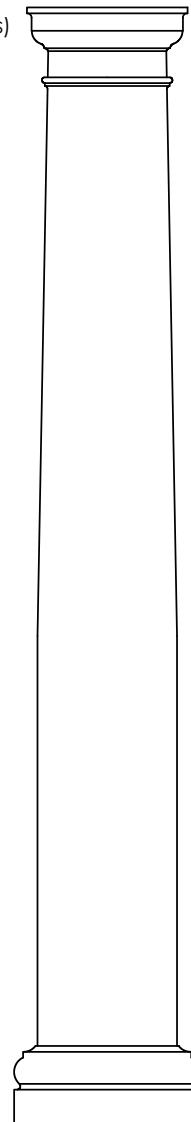
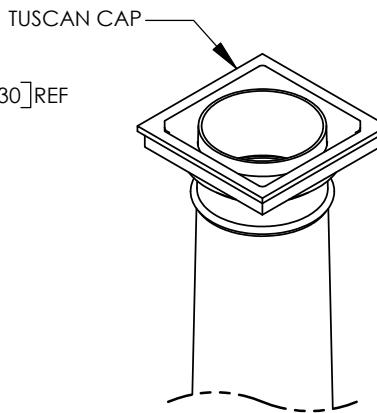
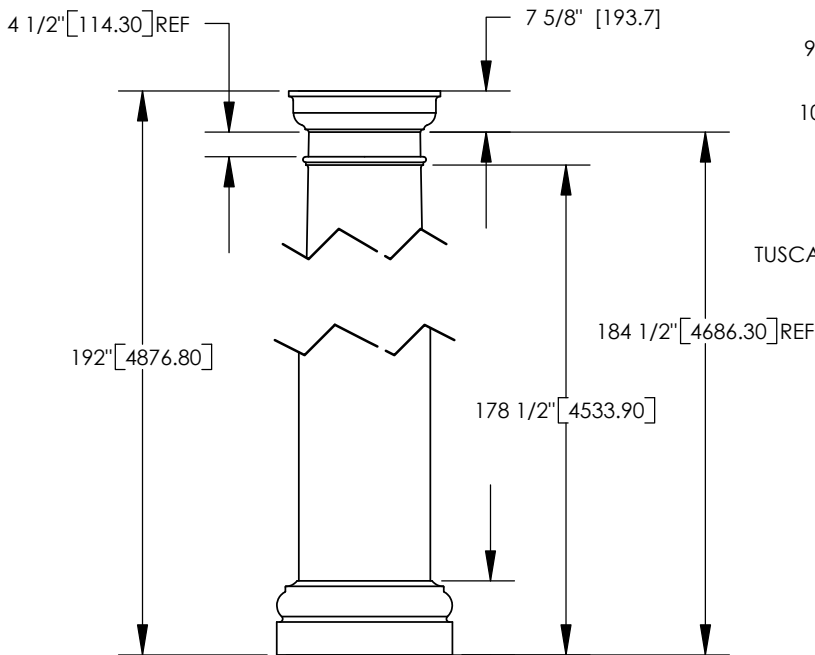
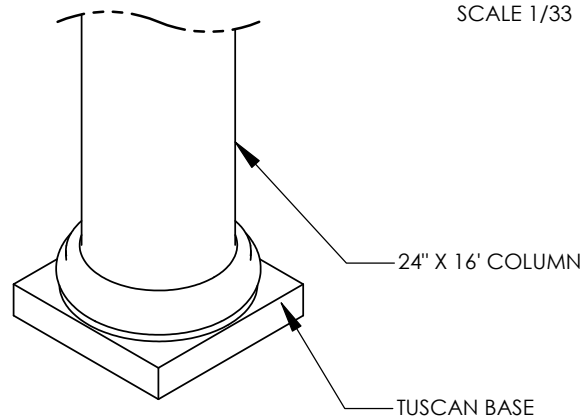
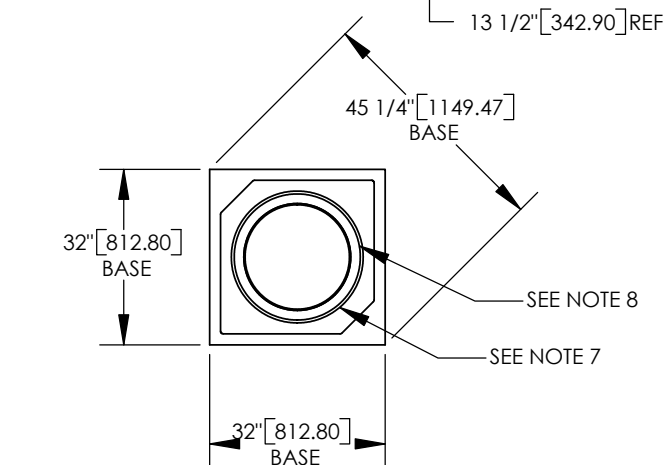


NOTES:

1. DIMENSIONS WITHIN THE PARENTHESES ARE METRIC UNITS (millimeters) or (Kg=Kilograms)
2. MATERIAL: FIBERGLASS REINFORCED POLYMER (FRP)
3. WEIGHT. COLUMN:
CAP:
BASE:
4. MATERIAL THICKNESS.
COLUMN: 5/8"
5. OUTSIDE DIAMETER AT TOP OF COLUMN: 19 7/8" [504.8]
6. INSIDE DIAMETER AT TOP OF COLUMN: 18 3/4" [476.5]
7. OUTSIDE DIAMETER AT BOTTOM OF COLUMN: 23 7/8" (606.4)
8. INSIDE DIAMETER AT BOTTOM OF COLUMN: 22 5/8" [574.7]
9. TAPER STARTS 23.0" (584.2) FROM BOTTOM OF COLUMN
10. MAXIMUM LOAD BEARING LIMIT: 20000 Lbs. (9071.8 Kg)



ARCHITECTURAL VIEW SCALE 1/33



TUSCAN BASE



888-514-8141

		DIMENSIONS ARE IN INCHES (mm) TOLERANCES: FRACTIONAL ± 1/4" ANGULAR: MACH ± BEND ± TWO PLACE DECIMAL ± THREE PLACE DECIMAL ±	NAME	DATE	© COPYRIGHT 24" X 16' TUSCAN COLUMN ASSEMBLY
DRAWN	SOF		05/05/08		
CHECKED	RK				
ENG APPR.	RK				
		MATERIAL	MFG APPR.	RK	
		FINISH	Q.A.	RK	
NEXT ASSY	USED ON		COMMENTS:		
APPLICATION		DO NOT SCALE DRAWING			
			SIZE	DWG. NO.	REV.
			A		02
			SCALE:	WEIGHT:	SHEET 1 OF 1