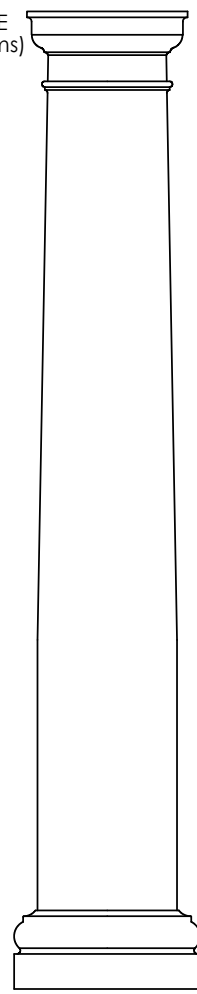
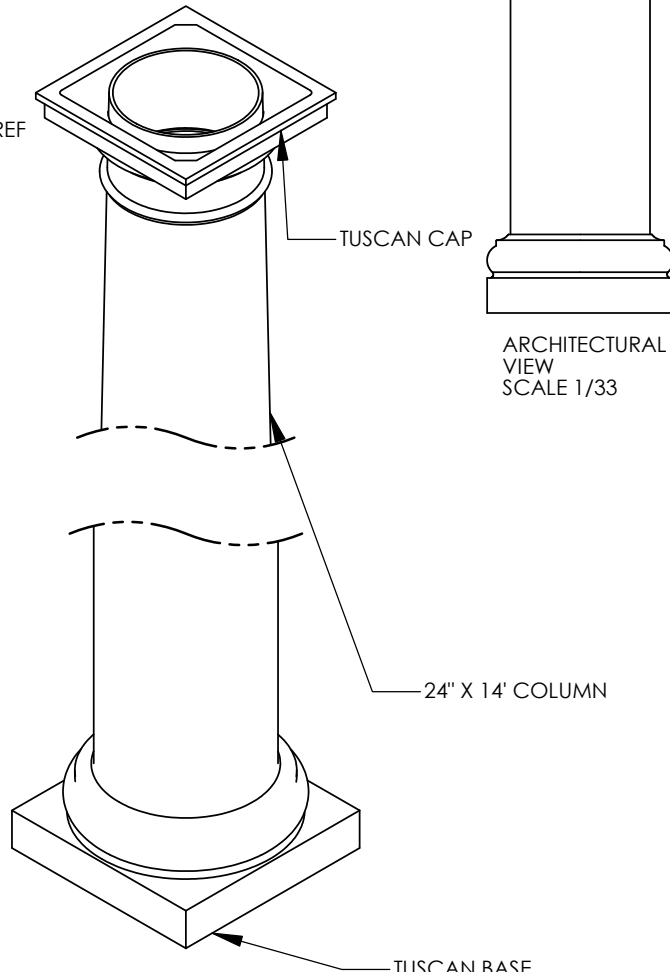


- NOTES:
1. DIMENSIONS WITHIN THE PARENTHESES ARE METRIC UNITS (millimeters) or (Kg=Kilograms)
 2. MATERIAL: FIBERGLASS REINFORCED POLYMER (FRP)
 3. WEIGHT. COLUMN:
CAP:
BASE:
 4. MATERIAL THICKNESS.
COLUMN: 5/8"
 5. OUTSIDE DIAMETER AT TOP OF COLUMN: 19 7/8" (504.8)
 6. INSIDE DIAMETER AT TOP OF COLUMN: 18 3/4" (476.5)
 7. OUTSIDE DIAMETER AT BOTTOM OF COLUMN: 23 7/8" (606.4)
 8. INSIDE DIAMETER AT BOTTOM OF COLUMN: 22 5/8" (574.7)
 9. TAPER STARTS ----- FROM BOTTOM OF COLUMN
 10. MAXIMUM LOAD BEARING LIMIT: 20000 Lbs. (9071.8 Kg)



ARCHITECTURAL VIEW
SCALE 1/33

TUSCAN BASE

FIRST CLASS
BUILDING PRODUCTS
888-514-8141

		DIMENSIONS ARE IN INCHES (mm) TOLERANCES: FRACTIONAL ± 1/4" ANGULAR: MACH ± BEND ± TWO PLACE DECIMAL ± THREE PLACE DECIMAL ±		
NEXT ASSY	USED ON			
		MATERIAL		
		FINISH		
APPLICATION		DO NOT SCALE DRAWING		

	NAME	DATE
DRAWN	SOF	05/05/08
CHECKED	RK	
ENG APPR.	RK	
MFG APPR.	RK	
Q.A.	RK	
COMMENTS:		

© COPYRIGHT		
24" X 14' TUSCAN COLUMN ASSEMBLY		
SCALE:	WEIGHT:	SHEET 1 OF 1