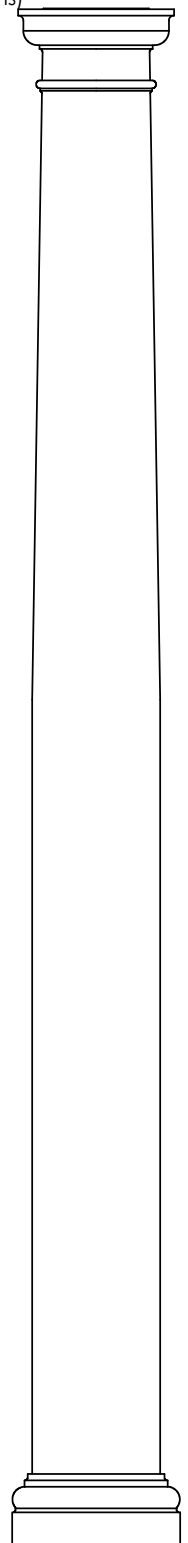
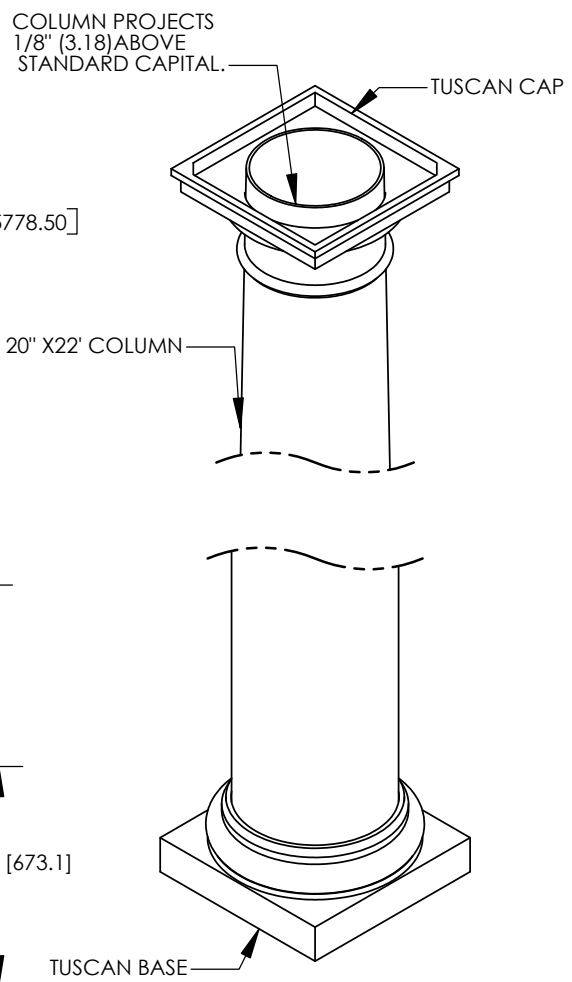


- NOTES:
1. DIMENSIONS WITHIN THE PARENTHESES ARE METRIC UNITS (millimeters) or (Kg=Kilograms)
 2. MATERIAL: FIBERGLASS REINFORCED POLYMER (FRP)
 3. WEIGHT. COLUMN: 690Lb. (313.0Kg)
CAP: 36 Lb. (16.4 Kg)
BASE: 57 Lb. (26.0 Kg)
 4. MATERIAL THICKNESS. COLUMN: 3/8" (9.5)
 5. INSIDE DIAMETER AT TOP OF COLUMN: 15 5/8" (396.9)
 6. OUTSIDE DIAMETER AT TOP OF COLUMN: 16 3/8" (415.9)
 7. INSIDE DIAMETER AT BOTTOM OF COLUMN: 19 1/8" (485.8)
 8. OUTSIDE DIAMETER AT BOTTOM OF COLUMN: 19 7/8" (504.8)
 9. TAPER STARTS 93.0" (2362.2) FROM BOTTOM OF COLUMN
 10. MAXIMUM LOAD BEARING LIMIT: 20000 Lbs. (9071.8Kg)



ARCHITECTURAL VIEW
SCALE 1/30

TUSCAN BASE	DIMENSIONS ARE IN INCHES (mm) TOLERANCES: FRACTIONAL: ± 1/8" ANGULAR: MACH ± BEND ± TWO PLACE DECIMAL ± THREE PLACE DECIMAL ±		NAME	DATE	© COPYRIGHT
	NEXT ASSY	USED ON	DRAWN	SOF	
FIRST CLASS BUILDING PRODUCTS	MATERIAL		CHECKED	RK	20" X 22' TUSCAN COLUMN ASSEMBLY
	FINISH		ENG APPR.	RK	
888-514-8141	APPLICATION		MFG APPR.	RK	SIZE DWG. NO. REV. A
DO NOT SCALE DRAWING		COMMENTS:	Q.A.	RK	
					SCALE: 1/23 WEIGHT: SHEET 1 OF 1