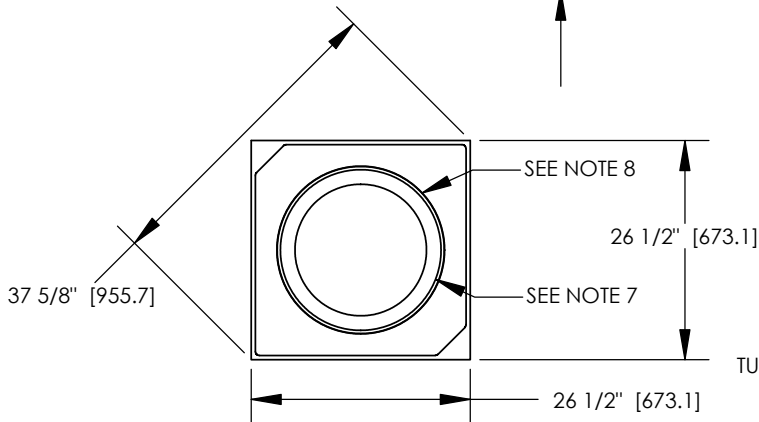
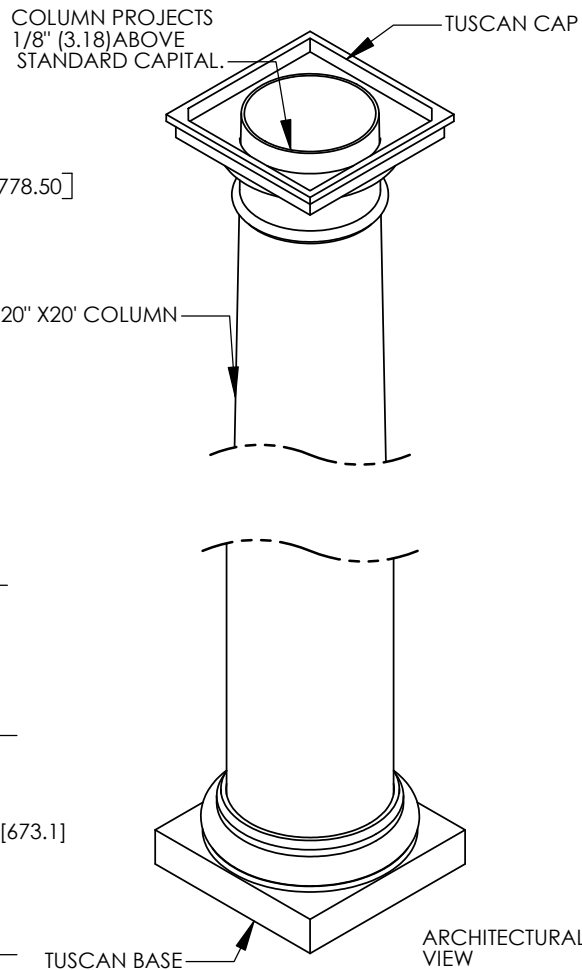
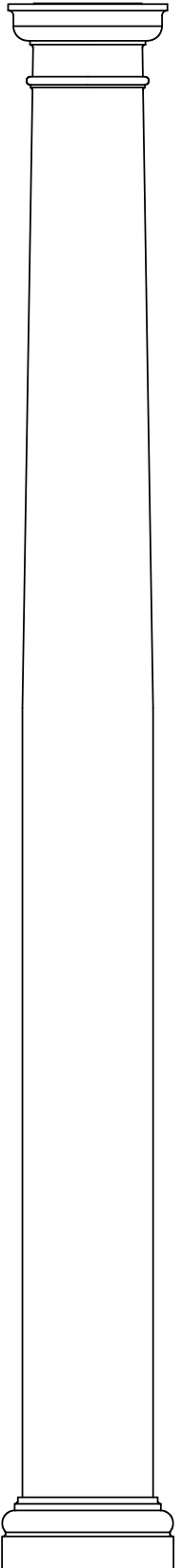


- NOTES:
1. DIMENSIONS WITHIN THE PARENTHESES ARE METRIC UNITS (millimeters) or (Kg=Kilograms)
 2. MATERIAL: FIBERGLASS REINFORCED POLYMER (FRP)
 3. WEIGHT. COLUMN: 630Lb. (285.8 Kg)
CAP: 36 Lb. (16.4 Kg)
BASE: 57 Lb. (26.0 Kg)
 4. MATERIAL THICKNESS. COLUMN: 3/8" (9.5)
 5. INSIDE DIAMETER AT TOP OF COLUMN: 15 5/8" (396.9)
 6. OUTSIDE DIAMETER AT TOP OF COLUMN: 16 3/8" (415.9)
 7. INSIDE DIAMETER AT BOTTOM OF COLUMN: 19 1/8" (485.8)
 8. OUTSIDE DIAMETER AT BOTTOM OF COLUMN: 19 7/8" (504.8)
 9. TAPER STARTS 69.0" (1752.6) FROM BOTTOM OF COLUMN
 10. MAXIMUM LOAD BEARING LIMIT: 20000 Lbs. (9071.8Kg)



ARCHITECTURAL VIEW
SCALE 1/28



TUSCAN BASE

**FIRST CLASS
BUILDING PRODUCTS**

888-514-8141

		DIMENSIONS ARE IN INCHES (mm) TOLERANCES: FRACTIONAL: ± 1/8" ANGULAR: MACH ± BEND ± TWO PLACE DECIMAL ± THREE PLACE DECIMAL ±	
		MATERIAL	
		FINISH	
NEXT ASSY	USED ON		
APPLICATION		DO NOT SCALE DRAWING	

	NAME	DATE
DRAWN	SOF	05/05/08
CHECKED	RK	
ENG APPR.	RK	
MFG APPR.	RK	
Q.A.	RK	
COMMENTS:		

© COPYRIGHT		
20" X 20' TUSCAN COLUMN ASSEMBLY		
SIZE	DWG. NO.	REV.
A		02
SCALE: 1/23	WEIGHT:	SHEET 1 OF 1