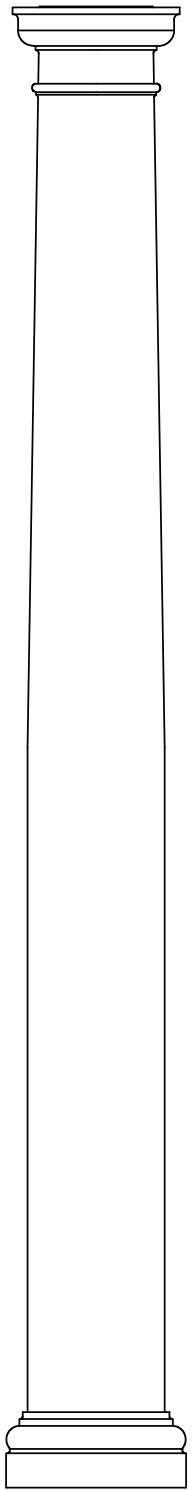
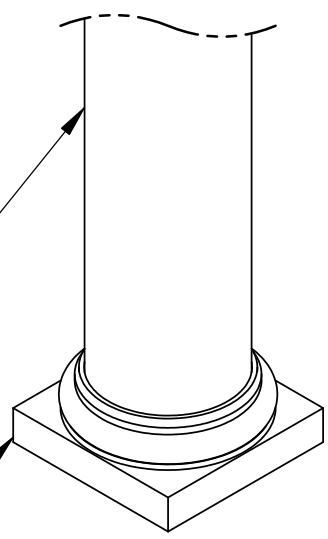
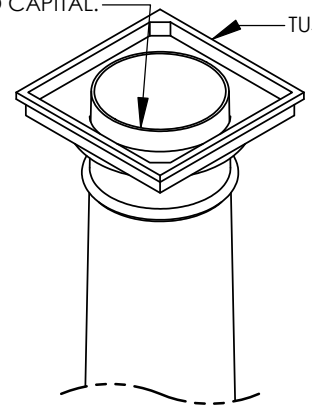


- NOTES:
1. DIMENSIONS WITHIN THE PARENTHESES ARE METRIC UNITS (millimeters) or (Kg=Kilograms)
  2. MATERIAL: FIBERGLASS REINFORCED POLYMER (FRP)
  3. WEIGHT. COLUMN: 585Lb. ( 266Kg)  
CAP: 36 Lb. ( 16.4 Kg)  
BASE: 57 Lb. ( 26.0 Kg)
  4. MATERIAL THICKNESS. COLUMN: 3/8" (9.5)
  5. INSIDE DIAMETER AT TOP OF COLUMN: 15 5/8" (396.9)
  6. OUTSIDE DIAMETER AT TOP OF COLUMN: 16 3/8" (415.9)
  7. INSIDE DIAMETER AT BOTTOM OF COLUMN: 19 1/8" (485.8)
  8. OUTSIDE DIAMETER AT BOTTOM OF COLUMN: 19 7/8" (504.8)
  9. TAPER STARTS 45.0° (1143.0) FROM BOTTOM OF COLUMN
  10. MAXIMUM LOAD BEARING LIMIT: 20,000 Lbs. (9071.8 Kg)

COLUMN PROJECTS 1/8" (3.18) ABOVE STANDARD CAPITAL.



ARCHITECTURAL VIEW SCALE 1/28

TUSCAN BASE



888-514-8141

		DIMENSIONS ARE IN INCHES (mm) TOLERANCES: FRACTIONAL ± 1/8" ANGULAR: MACH ± BEND ± TWO PLACE DECIMAL ± THREE PLACE DECIMAL ±			
			MATERIAL		
		FINISH			
NEXT ASSY	USED ON				
APPLICATION		DO NOT SCALE DRAWING			

	NAME	DATE
DRAWN	SOF	05/05/08
CHECKED	RK	
ENG APPR.	RK	
MFG APPR.	RK	
Q.A.	RK	
COMMENTS:		

© COPYRIGHT		
20" X 18' TUSCAN COLUMN ASSEMBLY		
SIZE	DWG. NO.	REV.
<b>A</b>		02
SCALE: 1/20	WEIGHT:	SHEET 1 OF 1