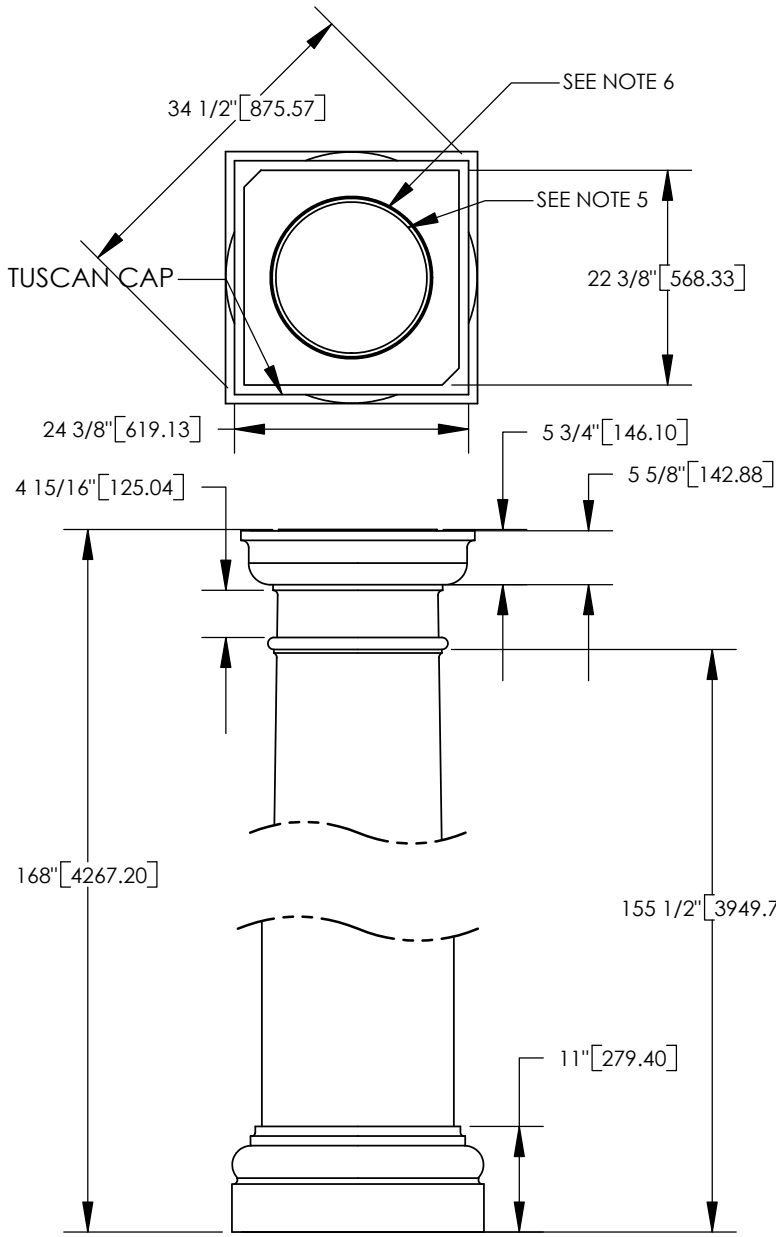
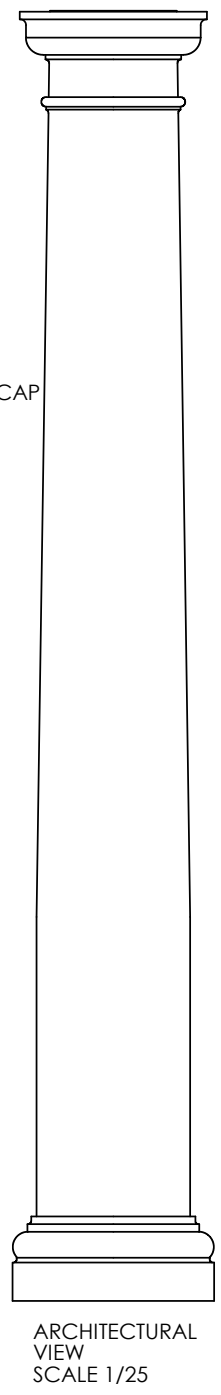
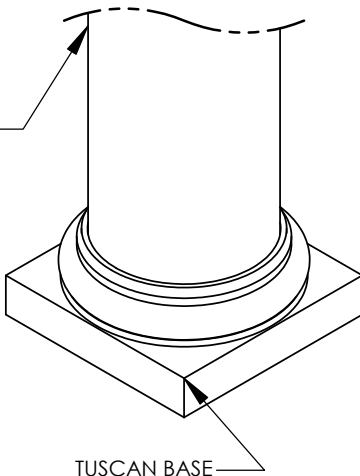
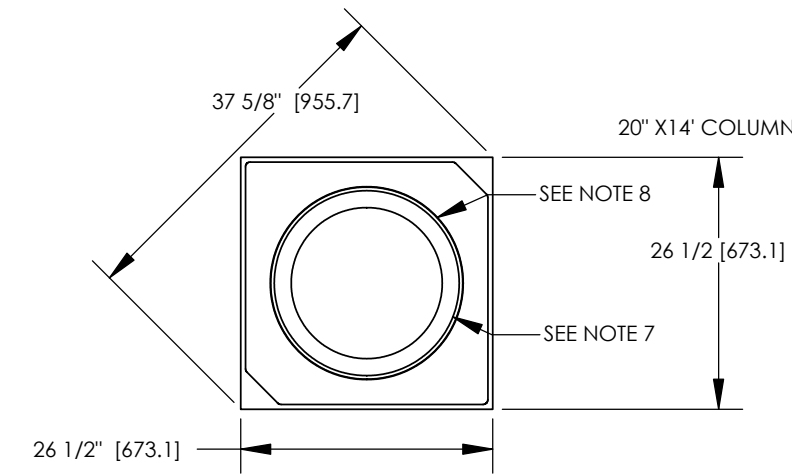
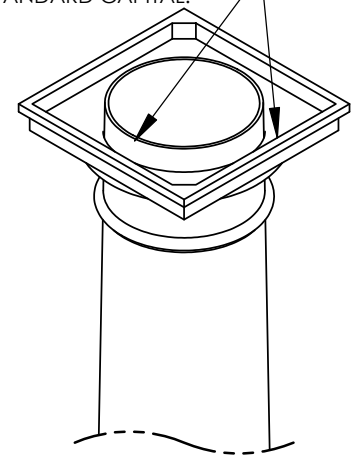


NOTES:

1. DIMENSIONS WITHIN THE PARENTHESES ARE METRIC UNITS (millimeters) or (Kg=Kilograms)
2. MATERIAL: FIBERGLASS REINFORCED POLYMER (FRP)
3. WEIGHT. COLUMN: 500Lb. (226.8Kg)
CAP: 36 Lb. (16.4 Kg)
BASE: 57 Lb. (26.0 Kg)
4. MATERIAL THICKNESS. COLUMN: 3/8" (9.5)
5. INSIDE DIAMETER AT TOP OF COLUMN: 15 5/8" (396.9)
6. OUTSIDE DIAMETER AT TOP OF COLUMN: 16 3/8" (415.9)
7. INSIDE DIAMETER AT BOTTOM OF COLUMN: 19 1/8" (485.8)
8. OUTSIDE DIAMETER AT BOTTOM OF COLUMN: 19 7/8" (504.8)
9. TAPER STARTS FROM BOTTOM OF COLUMN
10. MAXIMUM LOAD BEARING LIMIT: 20,000Lbs. (9071.8Kg)



COLUMN PROJECTS 1/8" (3.18) ABOVE STANDARD CAPITAL. TUSCAN CAP



ARCHITECTURAL VIEW SCALE 1/25

TUSCAN BASE

FIRST CLASS BUILDING PRODUCTS
888-514-8141

		DIMENSIONS ARE IN INCHES (mm) TOLERANCES: FRACTIONAL: ± 1/8" ANGULAR: MACH ± BEND ± TWO PLACE DECIMAL ± THREE PLACE DECIMAL ±	
		MATERIAL	
		FINISH	
NEXT ASSY	USED ON	DO NOT SCALE DRAWING	
APPLICATION			

NAME	DATE
DRAWN: SOF	05/05/08
CHECKED: RK	
ENG APPR.: RK	
MFG APPR.: RK	
Q.A.: RK	
COMMENTS:	

© COPYRIGHT		
20" X 14' TUSCAN COLUMN ASSEMBLY		
SIZE: A	DWG. NO.	REV. 02
SCALE: 1/20	WEIGHT:	SHEET 1 OF 1