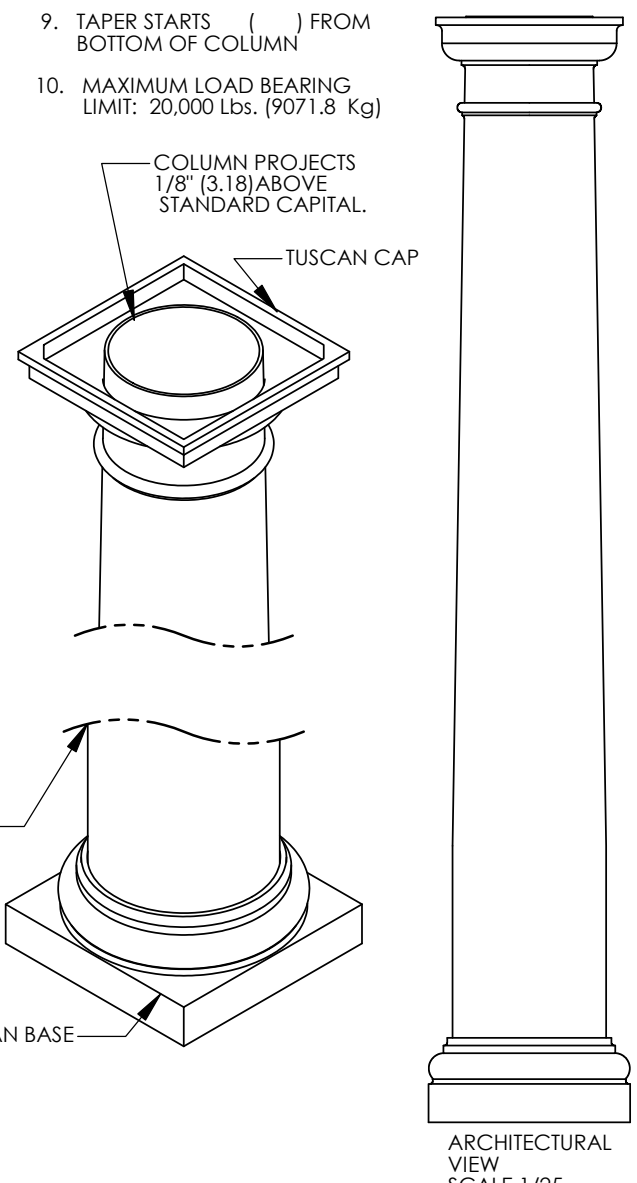
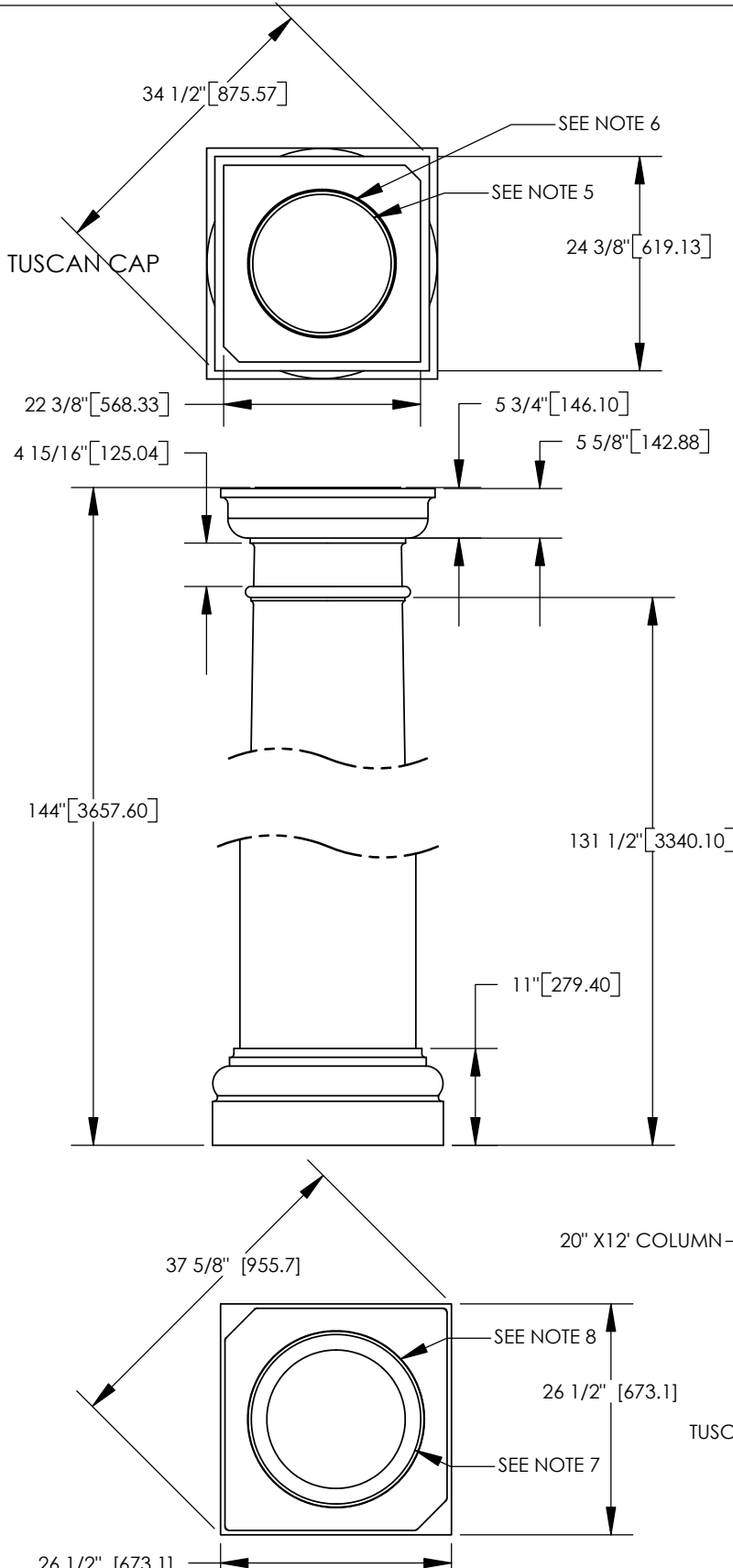


NOTES:

1. DIMENSIONS WITHIN THE PARENTHESES ARE METRIC UNITS (millimeters) or (Kg=Kilograms)
2. MATERIAL: FIBERGLASS REINFORCED POLYMER (FRP)
3. WEIGHT. COLUMN: 440 Lb. (200.0 Kg)
CAP: 36 Lb. (16.4 Kg)
BASE: 57 Lb. (26.0 Kg)
4. MATERIAL THICKNESS. COLUMN: 3/8" (9.5)
5. INSIDE DIAMETER AT TOP OF COLUMN: 15 5/8" (396.9)
6. OUTSIDE DIAMETER AT TOP OF COLUMN: 16 3/8" (415.9)
7. INSIDE DIAMETER AT BOTTOM OF COLUMN: 19 1/8" (485.8)
8. OUTSIDE DIAMETER AT BOTTOM OF COLUMN: 19 7/8" (504.8)
9. TAPER STARTS () FROM BOTTOM OF COLUMN
10. MAXIMUM LOAD BEARING LIMIT: 20,000 Lbs. (9071.8 Kg)



FIRST CLASS BUILDING PRODUCTS
888-514-8141

TUSCAN BASE		DIMENSIONS ARE IN INCHES (mm) TOLERANCES: FRACTIONAL: ± 1/8" ANGULAR: MACH ± BEND ± TWO PLACE DECIMAL ± THREE PLACE DECIMAL ±	NAME	DATE
NEXT ASSY	USED ON		SOF	05/05/08
APPLICATION		MATERIAL	CHKD	RK
		FINISH	ENG APPR.	RK
		DO NOT SCALE DRAWING	MFG APPR.	RK
			Q.A.	RK
			COMMENTS:	

NAME	DATE
SOF	05/05/08
CHKD	RK
ENG APPR.	RK
MFG APPR.	RK
Q.A.	RK
COMMENTS:	

© COPYRIGHT		
20" X 12' TUSCAN COLUMN ASSEMBLY		
SIZE	DWG. NO.	REV.
A		02
SCALE: 1/20	WEIGHT:	SHEET 1 OF 1