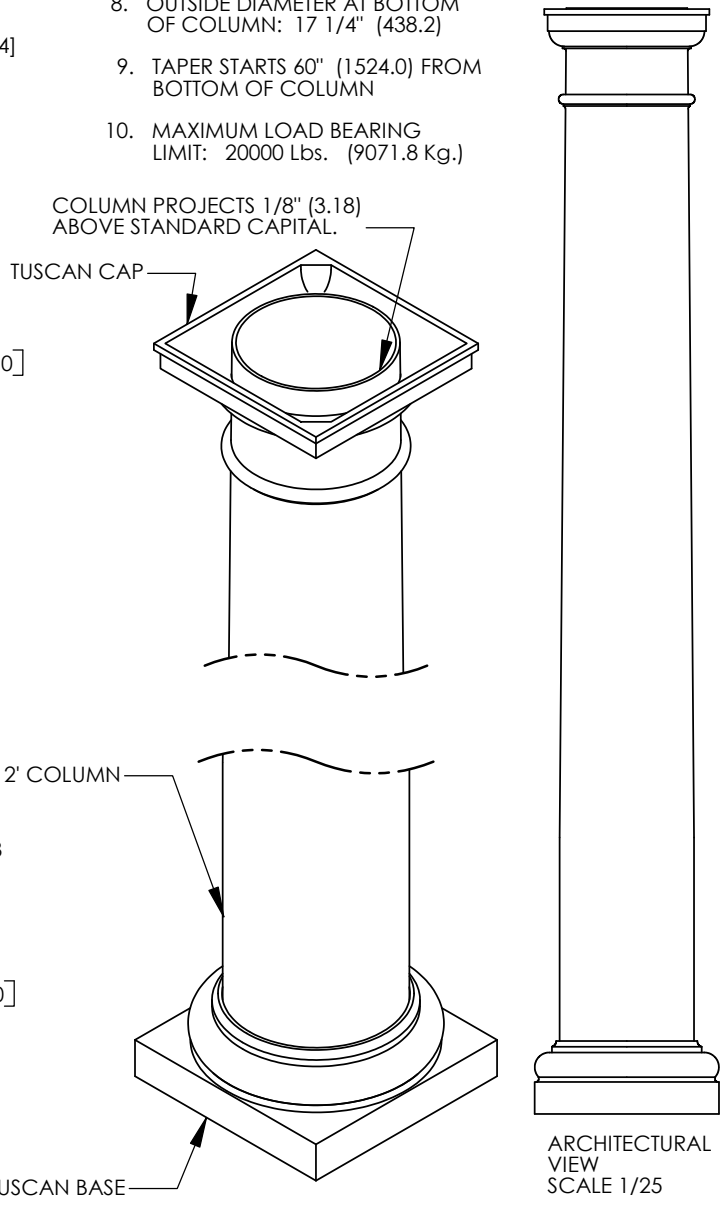


- NOTES:
1. DIMENSIONS WITHIN THE PARENTHESES ARE METRIC UNITS (millimeters) or (Kg=Kilograms)
 2. MATERIAL: FIBERGLASS REINFORCED POLYMER (FRP)
 3. WEIGHT. COLUMN: 325 Lb. (147.4 Kg)
CAP: 34 Lb. (15.4 Kg)
BASE: 53 Lb. (24.0 Kg)
 4. MATERIAL THICKNESS. COLUMN: 3/8" (9.5)
 5. INSIDE DIAMETER AT TOP OF COLUMN: 14 3/8" (365.1)
 6. OUTSIDE DIAMETER AT TOP OF COLUMN: 15 3/8" (390.5)
 7. INSIDE DIAMETER AT BOTTOM OF COLUMN: 16 5/8" (422.3)
 8. OUTSIDE DIAMETER AT BOTTOM OF COLUMN: 17 1/4" (438.2)
 9. TAPER STARTS 60" (1524.0) FROM BOTTOM OF COLUMN
 10. MAXIMUM LOAD BEARING LIMIT: 20000 Lbs. (9071.8 Kg.)



TUSCAN BASE

FIRST CLASS BUILDING PRODUCTS
888-514-8141

		DIMENSIONS ARE IN INCHES (mm)	
		TOLERANCES: FRACTIONAL ± 1/8" ANGULAR: MACH ± BEND ± TWO PLACE DECIMAL ± THREE PLACE DECIMAL ±	
		MATERIAL	
		FINISH	
NEXT ASSY	USED ON		
APPLICATION		DO NOT SCALE DRAWING	

	NAME	DATE
DRAWN	SOF	05/05/08
CHECKED	RK	
ENG APPR.	RK	
MFG APPR.	RK	
Q.A.	RK	
COMMENTS:		

©COPYRIGHT

18" X 12' TUSCAN COLUMN ASSEMBLY

SIZE	DWG. NO.	REV.
A		02
SCALE: 1/18	WEIGHT:	SHEET 1 OF 1