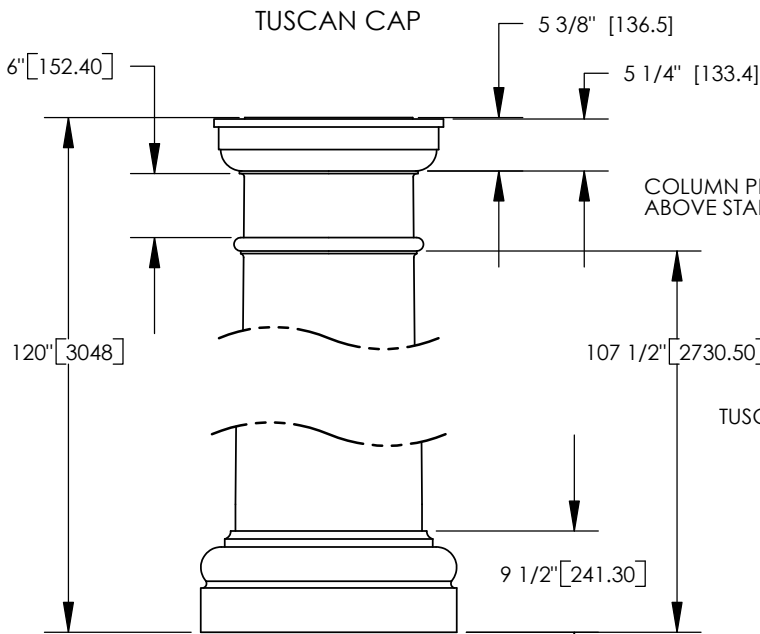
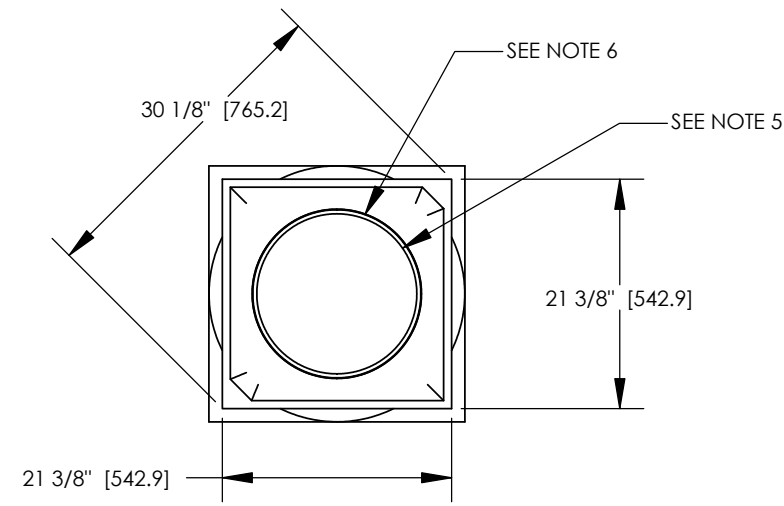
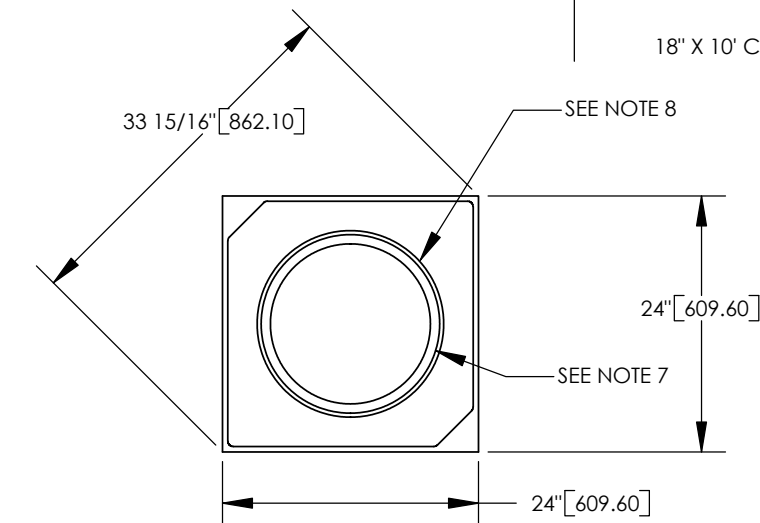
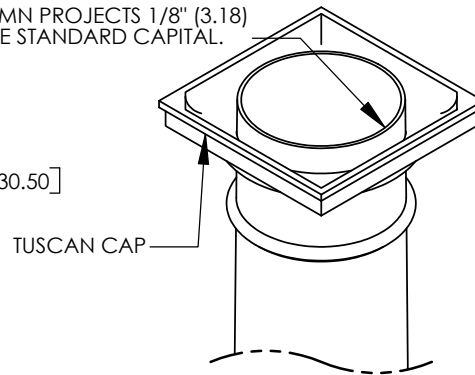


NOTES:

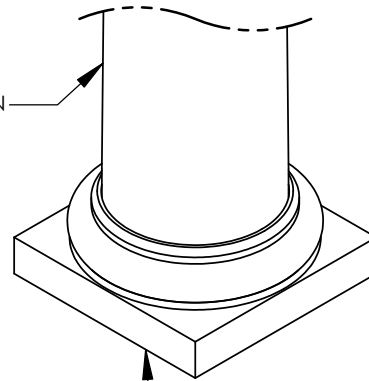
1. DIMENSIONS WITHIN THE PARENTHESES ARE METRIC UNITS (millimeters) or (Kg=Kilograms)
2. MATERIAL: FIBERGLASS REINFORCED POLYMER (FRP)
3. WEIGHT. COLUMN: 250 Lb. (113.4 Kg)
CAP: 34Lb. (15.4 Kg)
BASE: 53 Lb. (24.0 Kg)
4. MATERIAL THICKNESS. COLUMN: 3/8" (9.5)
5. INSIDE DIAMETER AT TOP OF COLUMN: 14 3/8" (365.1)
6. OUTSIDE DIAMETER AT TOP OF COLUMN: 15 3/8" (390.5)
7. INSIDE DIAMETER AT BOTTOM OF COLUMN: 16 5/8" (422.3)
8. OUTSIDE DIAMETER AT BOTTOM OF COLUMN: 17 1/4" (438.2)
9. TAPER STARTS 36" (914.4) FROM BOTTOM OF COLUMN
10. MAXIMUM LOAD BEARING LIMIT: 20000 Lbs. (9071.8 Kg.)



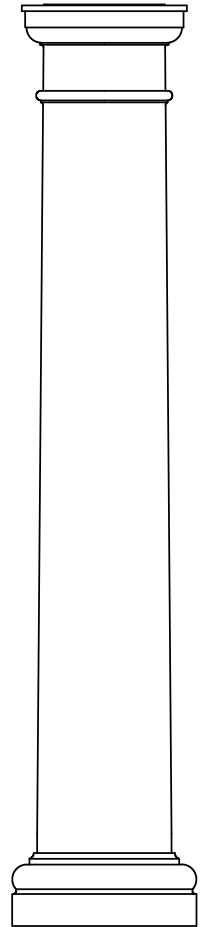
COLUMN PROJECTS 1/8" (3.18) ABOVE STANDARD CAPITAL.



18" X 10' COLUMN



TUSCAN BASE



ARCHITECTURAL VIEW SCALE 1/25

TUSCAN BASE

		DIMENSIONS ARE IN INCHES (mm) TOLERANCES: FRACTIONAL ± 1/8" ANGULAR: MACH ± BEND ± TWO PLACE DECIMAL ± THREE PLACE DECIMAL ±	
		MATERIAL	
		FINISH	
NEXT ASSY	USED ON	DO NOT SCALE DRAWING	
APPLICATION			

NAME	DATE
DRAWN: SOF	05/05/08
CHECKED: RK	
ENG APPR.: RK	
MFG APPR.: RK	
Q.A.: RK	
COMMENTS:	

©COPYRIGHT

18" X 10' TUSCAN COLUMN ASSEMBLY

FIRST CLASS BUILDING PRODUCTS

888-514-8141

SIZE	DWG. NO.	REV.
A		02
SCALE: 1/18		WEIGHT:
		SHEET 1 OF 1