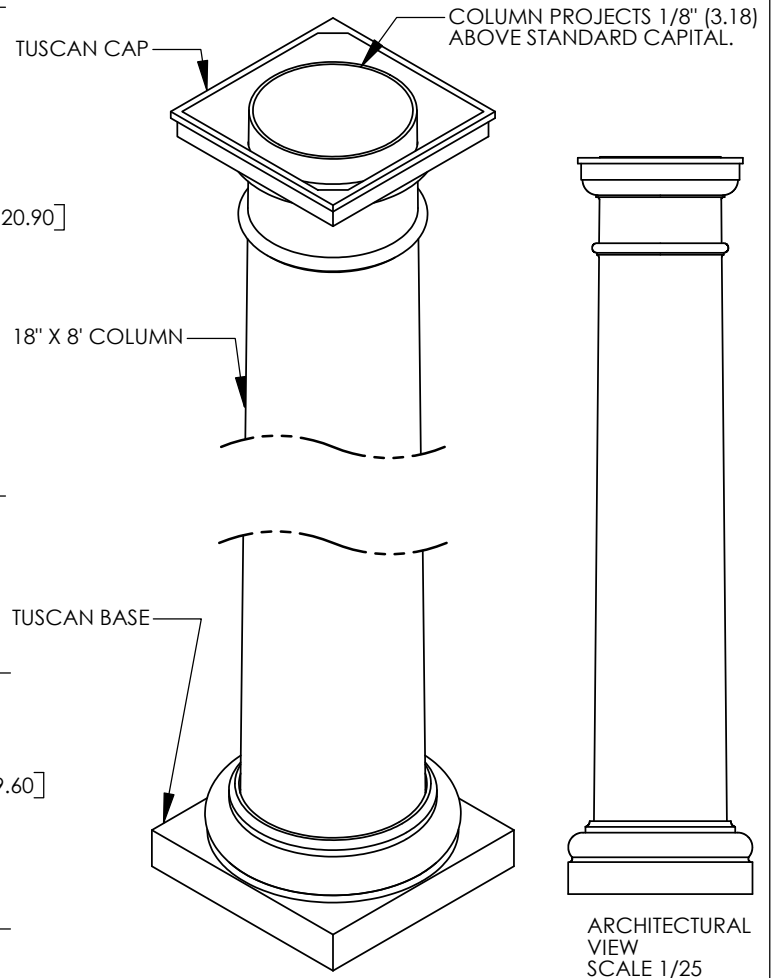


- NOTES:
1. DIMENSIONS WITHIN THE PARENTHESES ARE METRIC UNITS (millimeters) or (Kg=Kilograms)
 2. MATERIAL: FIBERGLASS REINFORCED POLYMER (FRP)
 3. WEIGHT. COLUMN: 200 Lb. (90.7 Kg)
CAP: 34 Lb. (34.0 Kg)
BASE: 53 Lb. (24.0 Kg)
 4. MATERIAL THICKNESS. COLUMN: 3/8" (9.5)
 5. INSIDE DIAMETER AT TOP OF COLUMN: 14 3/8" (365.1)
 6. OUTSIDE DIAMETER AT TOP OF COLUMN: 15 3/8" (390.5)
 7. INSIDE DIAMETER AT BOTTOM OF COLUMN: 16 5/8" (422.3)
 8. OUTSIDE DIAMETER AT BOTTOM OF COLUMN: 17 1/4" (438.2)
 9. TAPER STARTS 12" (304.8) FROM BOTTOM OF COLUMN.
 10. MAXIMUM LOAD BEARING LIMIT: 20000 Lbs. (9071.8 Kg.)



TUSCAN BASE

		DIMENSIONS ARE IN INCHES (mm) TOLERANCES: FRACTIONAL: ± 1/8" ANGULAR: MACH ± BEND ± TWO PLACE DECIMAL ± THREE PLACE DECIMAL ±		NAME	DATE
			DRAWN	SOF	05/05/08
		MATERIAL	CHECKED	RK	
			ENG APPR.	RK	
		FINISH	MFG APPR.	RK	
			Q.A.	RK	
NEXT ASSY	USED ON		COMMENTS:		
APPLICATION		DO NOT SCALE DRAWING			

©COPYRIGHT

18" X 8' TUSCAN COLUMN ASSEMBLY

FIRST CLASS BUILDING PRODUCTS

888-514-8141

SIZE	DWG. NO.	REV.
A		02
SCALE: 1/18 WEIGHT:		SHEET 1 OF 1