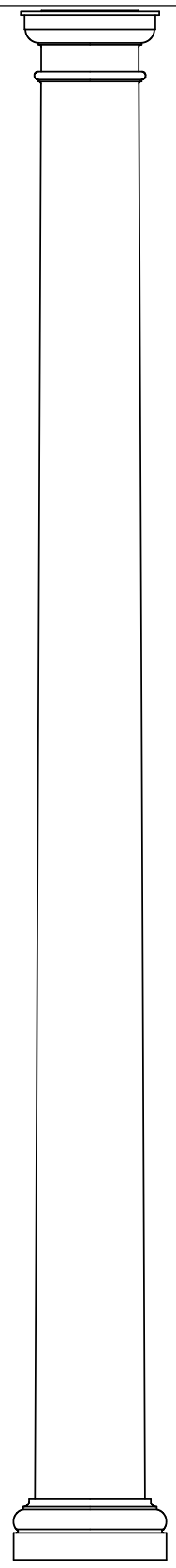
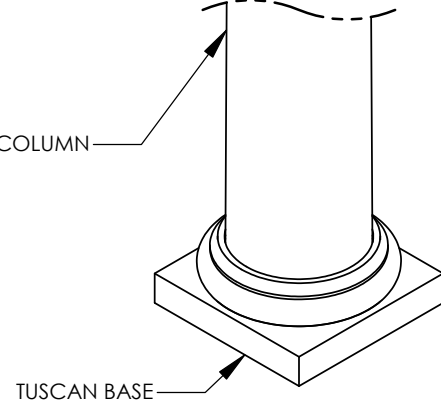
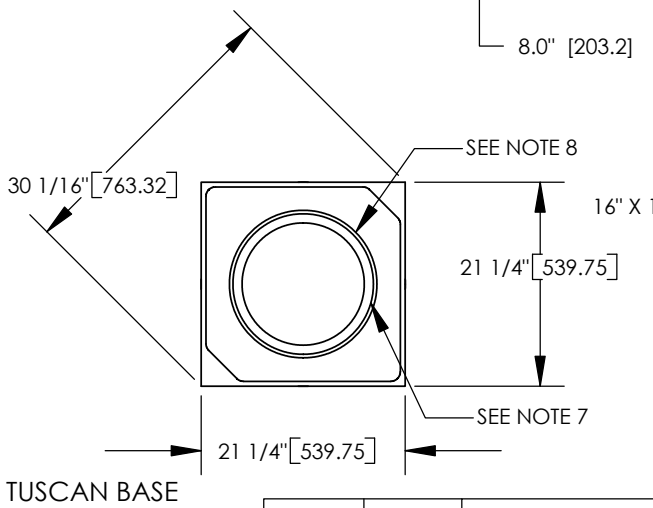
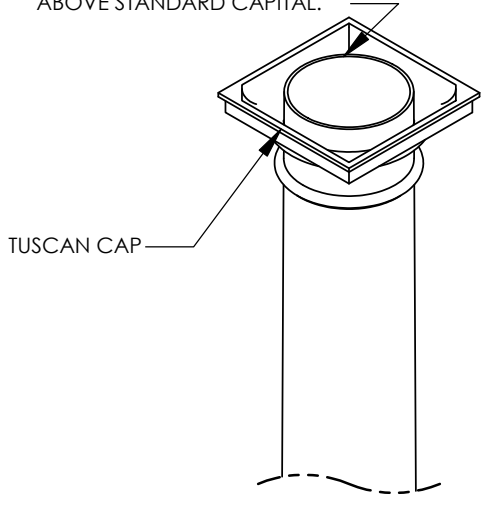
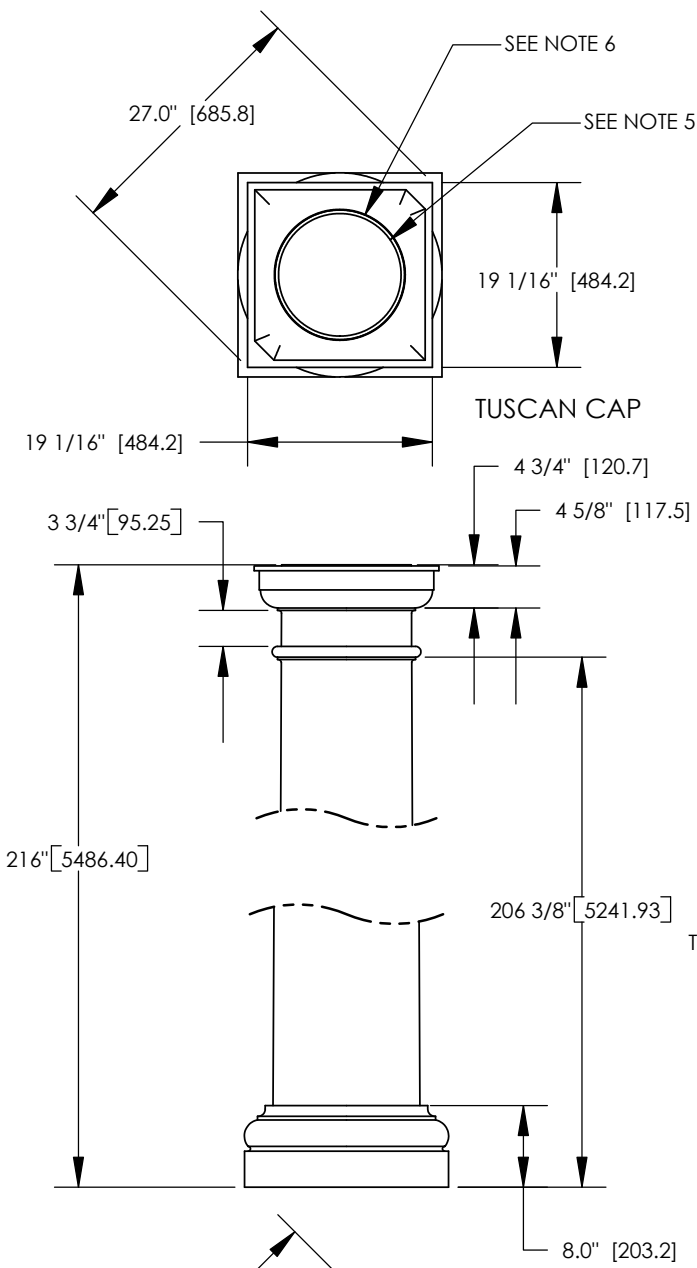


NOTES:

1. DIMENSIONS WITHIN THE PARENTHESES ARE METRIC UNITS (millimeters) or (Kg=Kilograms)
2. MATERIAL: FIBERGLASS REINFORCED POLYMER (FRP)
3. WEIGHT. COLUMN: . 440 Lb. (199.6 Kg)
CAP: 25 Lb. (11.3 Kg)
BASE: 41 Lb. (18.6 Kg)
4. MATERIAL THICKNESS.
COLUMN: 3/8" (9.5)
5. INSIDE DIAMETER AT TOP OF COLUMN: 12 1/2" (317.5)
6. OUTSIDE DIAMETER AT TOP OF COLUMN: 13 3/8" (339.7)
7. INSIDE DIAMETER AT BOTTOM OF COLUMN: 15 1/4" (387.3)
8. OUTSIDE DIAMETER AT BOTTOM OF COLUMN: 15 7/8" (403.2)
9. TAPER STARTS 108" (2743.2) FROM BOTTOM OF COLUMN.
10. MAXIMUM LOAD BEARING LIMIT: 20000 Lbs. (9071.8 Kg.)
COLUMN PROJECTS 1/8" (3.18) ABOVE STANDARD CAPITAL.



ARCHITECTURAL VIEW SCALE 1/25

FIRST CLASS BUILDING PRODUCTS
888-514-8141

		DIMENSIONS ARE IN INCHES (mm) TOLERANCES: FRACTIONAL ± 1/8" ANGULAR: MACH ± BEND ± TWO PLACE DECIMAL ± THREE PLACE DECIMAL ±	
		MATERIAL	
		FINISH	
NEXT ASSY	USED ON		
APPLICATION		DO NOT SCALE DRAWING	

	NAME	DATE
DRAWN	SOF	05/01/08
CHECKED	RK	
ENG APPR.	RK	
MFG APPR.	RK	
Q.A.	RK	
COMMENTS:		

© COPYRIGHT

16" X 18' TUSCAN COLUMN ASSEMBLY

SIZE	DWG. NO.	REV.
A		02
SCALE: 1/20	WEIGHT:	SHEET 1 OF 1