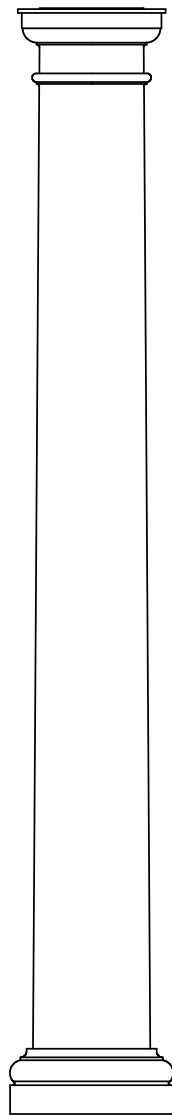
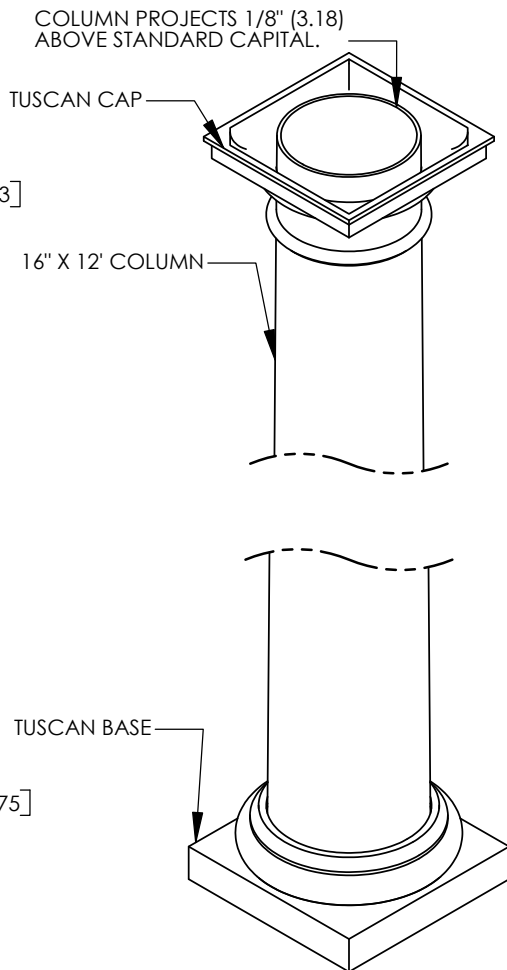


- NOTES:
1. DIMENSIONS WITHIN THE PARENTHESES ARE METRIC UNITS (millimeters) or (Kg=Kilograms)
 2. MATERIAL: FIBERGLASS REINFORCED POLYMER (FRP)
 3. WEIGHT. COLUMN: 260 Lb. (117.9 Kg)
CAP: 25 Lb. (11.3 Kg)
BASE: 41 Lb. (18.6 Kg)
 4. MATERIAL THICKNESS. COLUMN: 3/8" (9.5)
 5. INSIDE DIAMETER AT TOP OF COLUMN: 12 1/2" (317.5)
 6. OUTSIDE DIAMETER AT TOP OF COLUMN: 13 3/8" [339.7]
 7. INSIDE DIAMETER AT BOTTOM OF COLUMN: 14 3/4" [374.7]
 8. OUTSIDE DIAMETER AT BOTTOM OF COLUMN: 15 7/8" [403.2]
 9. TAPER STARTS 41" (1041.4) FROM BOTTOM OF COLUMN.
 10. MAXIMUM LOAD BEARING LIMIT: 20000 Lbs. (9071.8 Kg.)



ARCHITECTURAL VIEW
SCALE 1/25

TUSCAN BASE

		DIMENSIONS ARE IN INCHES (mm) TOLERANCES: FRACTIONAL: ± 1/8" ANGULAR: MACH ± BEND ± TWO PLACE DECIMAL ± THREE PLACE DECIMAL ±
		MATERIAL
		FINISH
NEXT ASSY	USED ON	
APPLICATION		DO NOT SCALE DRAWING

	NAME	DATE
DRAWN	SOF	01/05/08
CHECKED	RK	
ENG APPR.	RK	
MFG APPR.	RK	
Q.A.	RK	
COMMENTS:		

©COPYRIGHT		
16" X 12' TUSCAN COLUMN ASSEMBLY		
A		02
SCALE: 1/18	WEIGHT:	SHEET 1 OF 1

FIRST CLASS BUILDING PRODUCTS
888-514-8141