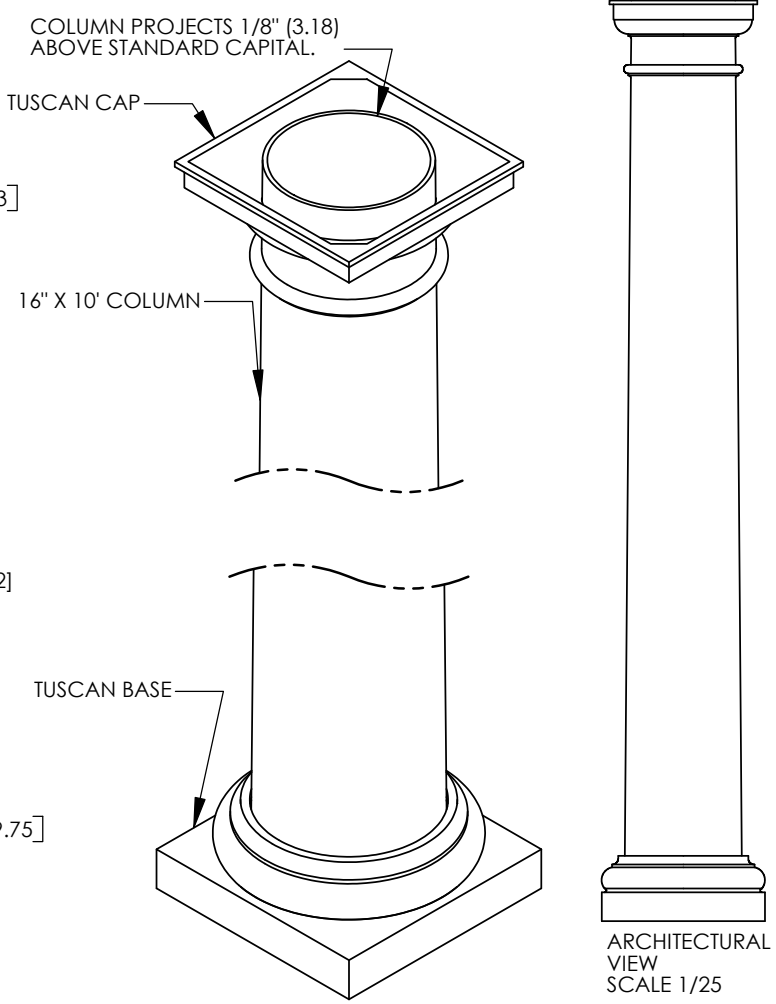


- NOTES:
1. DIMENSIONS WITHIN THE PARENTHESES ARE METRIC UNITS (millimeters) or (Kg=Kilograms)
 2. MATERIAL: FIBERGLASS REINFORCED POLYMER (FRP)
 3. WEIGHT. COLUMN: 240 Lb. (108.9 Kg)
CAP: 26 Lb. (11.3 Kg)
BASE: 41 Lb. (18.6 Kg)
 4. MATERIAL THICKNESS. COLUMN: 3/8" (9.5)
 5. INSIDE DIAMETER AT TOP OF COLUMN: 12 3/8" (314.3)
 6. OUTSIDE DIAMETER AT TOP OF COLUMN: 13 1/2" (342.9)
 7. INSIDE DIAMETER AT BOTTOM OF COLUMN: 14 7/8" (377.8)
 8. OUTSIDE DIAMETER AT BOTTOM OF COLUMN: 15 7/8" (403.2)
 9. TAPER STARTS 49" [1244.6] FROM BOTTOM OF COLUMN.
 10. MAXIMUM LOAD BEARING LIMIT: 20000 LBS. (9071.8 Kg.)



TUSCAN BASE

		DIMENSIONS ARE IN INCHES (mm) TOLERANCES: FRACTIONAL ± 1/8" ANGULAR: MACH ± BEND ± TWO PLACE DECIMAL ± THREE PLACE DECIMAL ±
		MATERIAL
		FINISH
NEXT ASSY	USED ON	
APPLICATION		

	NAME	DATE
DRAWN	SOF	05/01/08
CHECKED	RK	
ENG APPR.	RK	
MFG APPR.	RK	
Q.A.	RK	
COMMENTS:		

© COPYRIGHT		
16" X 10' TUSCAN COLUMN ASSEMBLY		
SCALE: 1/15	SHEET 1 OF 1	

FIRST CLASS BUILDING PRODUCTS
888-514-8141