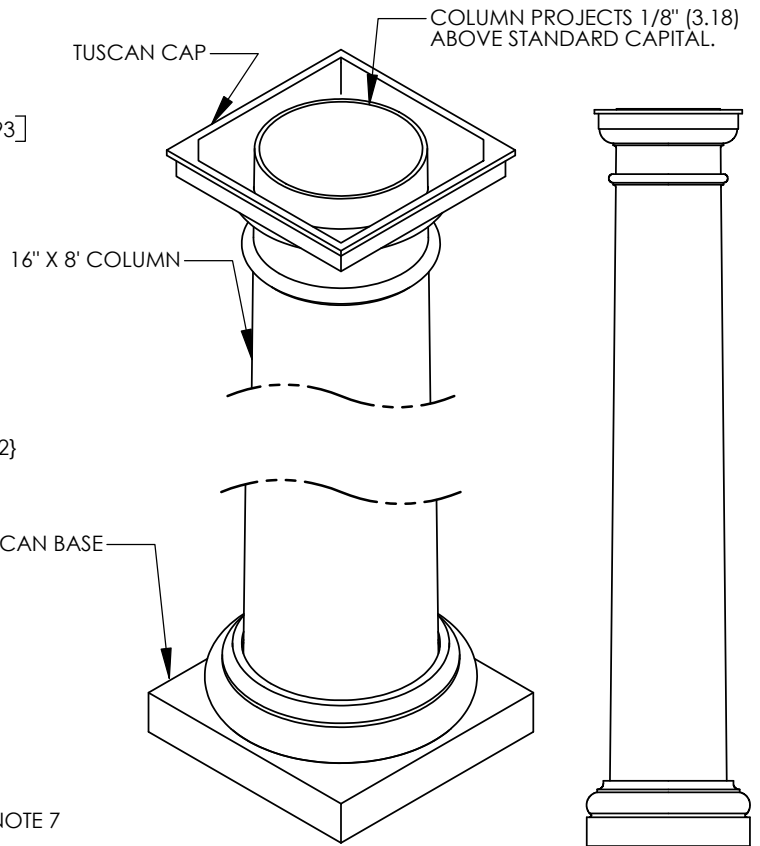
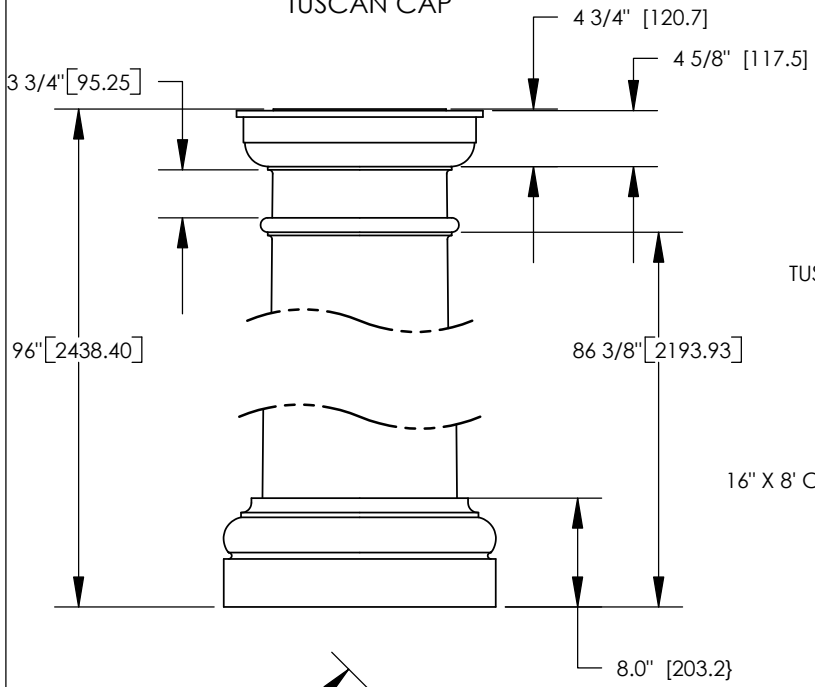


- NOTES:
1. DIMENSIONS WITHIN THE PARENTHESES ARE METRIC UNITS (millimeters) or (Kg= Kilograms)
 2. MATERIAL: FIBERGLASS REINFORCED POLYMER (FRP)
 3. WEIGHT. COLUMN: 200 Lb. (90.7 Kg)
CAP: 25 Lb. (11.3 Kg)
BASE: 41 Lb. (18.6 Kg)
 4. MATERIAL THICKNESS. COLUMN: 3/8" (9.5)
 5. INSIDE DIAMETER AT TOP OF COLUMN: 12 3/8" [314.3]
 6. OUTSIDE DIAMETER AT TOP OF COLUMN: 13 1/2" (342.9)
 7. INSIDE DIAMETER AT BOTTOM OF COLUMN: 14 7/8" [377.8]
 8. OUTSIDE DIAMETER AT BOTTOM OF COLUMN: 15 7/8" [403.2]
 9. TAPER STARTS 25" [1244.6] FROM BOTTOM OF COLUMN.
 9. MAXIMUM LOAD BEARING LIMIT: 20000 Lbs. (9071.8 Kg.)



ARCHITECTURAL VIEW
SCALE 1/25

FIRST CLASS BUILDING PRODUCTS

888-514-8141

DIMENSIONS ARE IN INCHES TOLERANCES: FRACTIONAL ± 1/8 ANGULAR: MACH ± BEND ± TWO PLACE DECIMAL ± THREE PLACE DECIMAL ±	
MATERIAL	FINISH
NEXT ASSY	USED ON
APPLICATION	DO NOT SCALE DRAWING

NAME	DATE
DRAWN: SOF	05/01/08
CHECKED: RK	
ENG APPR.: RK	
MFG APPR.: RK	
Q.A.: RK	
COMMENTS:	

© COPYRIGHT		
16" X 8" TUSCAN COLUMN ASSEMBLY		
SIZE: A	DWG. NO.	REV. 02
SCALE: 1/18	WEIGHT:	SHEET 1 OF 1