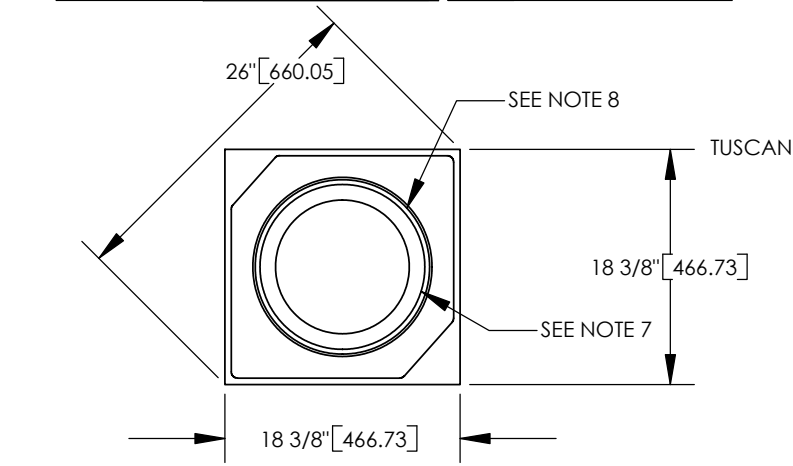
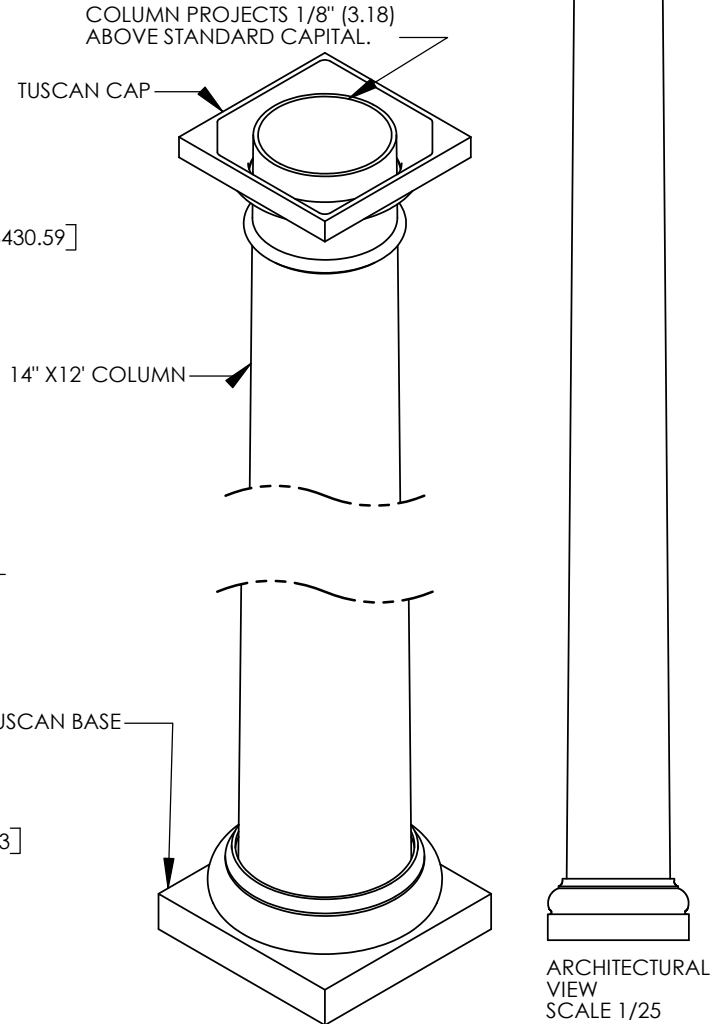
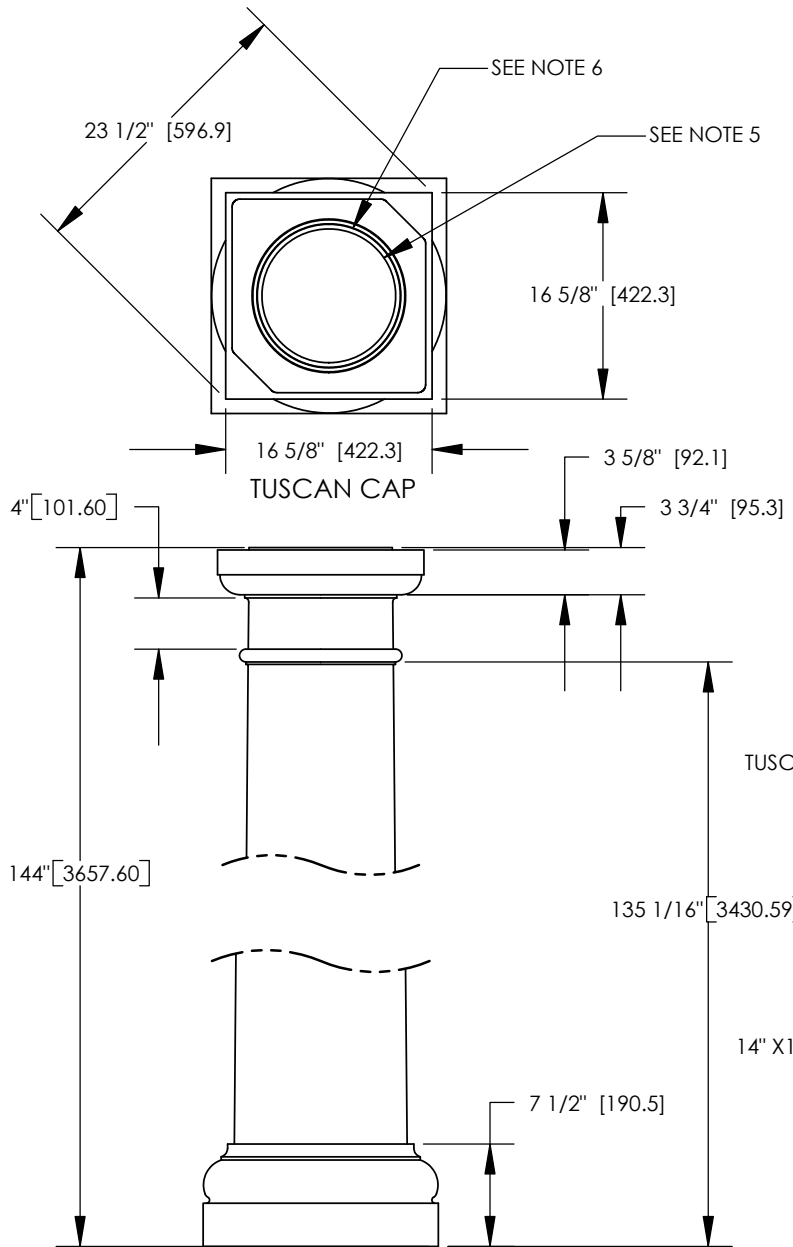


NOTES:

1. DIMENSIONS WITHIN THE PARENTHESES ARE METRIC UNITS (millimeters) or (Kg-Kilograms)
2. MATERIAL: FIBERGLASS REINFORCED POLYMER (FRP)
3. WEIGHT. COLUMN: 240 Lb. (108.9 Kg)
CAP: 20 Lb. (9.1 Kg.)
BASE: 29Lb. (13.2 Kg)
4. MATERIAL THICKNESS. COLUMN: 3/8" (9.5)
5. INSIDE DIAMETER AT TOP OF COLUMN: 11.0" (279.4)
6. OUTSIDE DIAMETER AT TOP OF COLUMN: 11 7/8" (301.6)
7. INSIDE DIAMETER AT BOTTOM OF COLUMN: 13 1/4" (336.6")
8. OUTSIDE DIAMETER AT BOTTOM OF COLUMN: 13 7/8" (352.4)
9. TAPER STARTS 42" (1066.8) FROM BOTTOM OF COLUMN.
10. MAXIMUM LOAD BEARING LIMIT: 20000 Lbs. (9071.8 Kg.)



FIRST CLASS BUILDING PRODUCTS
888-514-8141

TUSCAN BASE		DIMENSIONS ARE IN INCHES (mm) TOLERANCES: FRACTIONAL ± 1/8" ANGULAR: MACH ± BEND ± TWO PLACE DECIMAL ± THREE PLACE DECIMAL ±	NAME	DATE
NEXT ASSY	USED ON		SOF	04/27/08
APPLICATION		MATERIAL	CHECKED	RK
DO NOT SCALE DRAWING		FINISH	ENG APPR.	RK
			MFG APPR.	RK
			Q.A.	RK
			COMMENTS:	

NAME	DATE
SOF	04/27/08
CHECKED	RK
ENG APPR.	RK
MFG APPR.	RK
Q.A.	RK
COMMENTS:	

© COPYRIGHT		
14" X 12' TUSCAN COLUMN ASSEMBLY		
SIZE	DWG. NO.	REV.
A		02
SCALE: 1/15	WEIGHT:	SHEET 1 OF 1