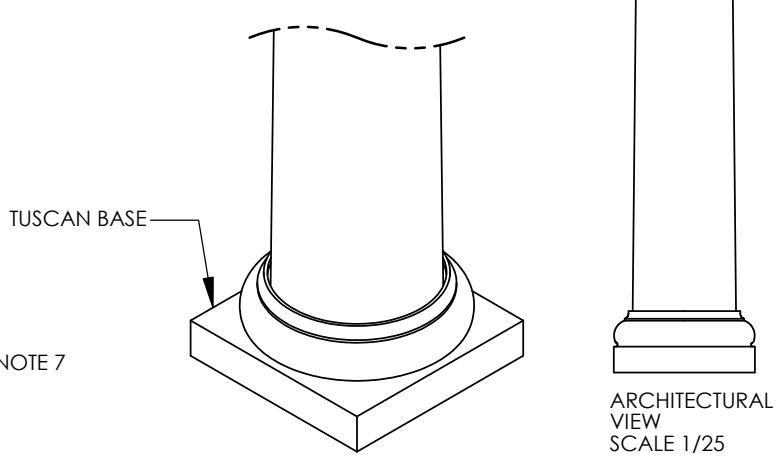
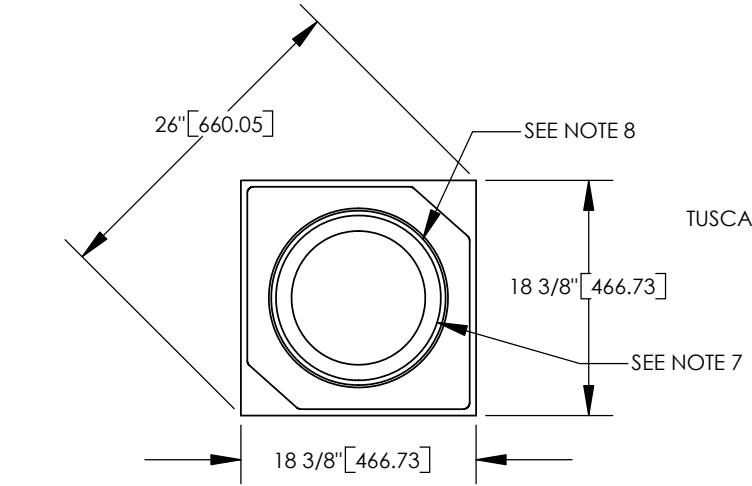
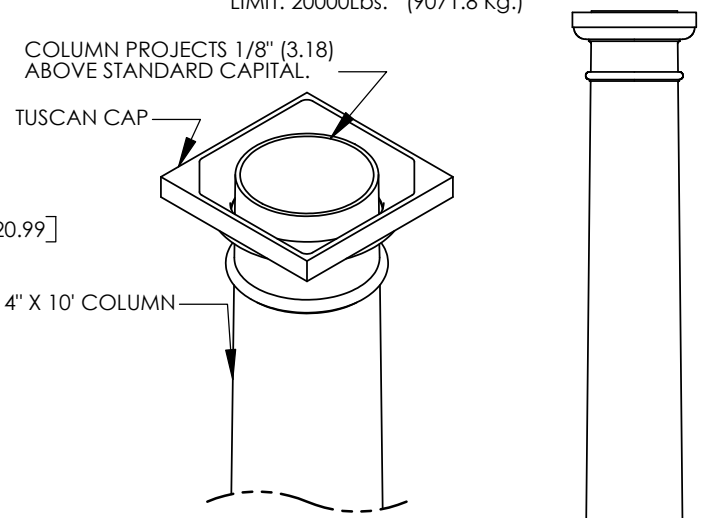
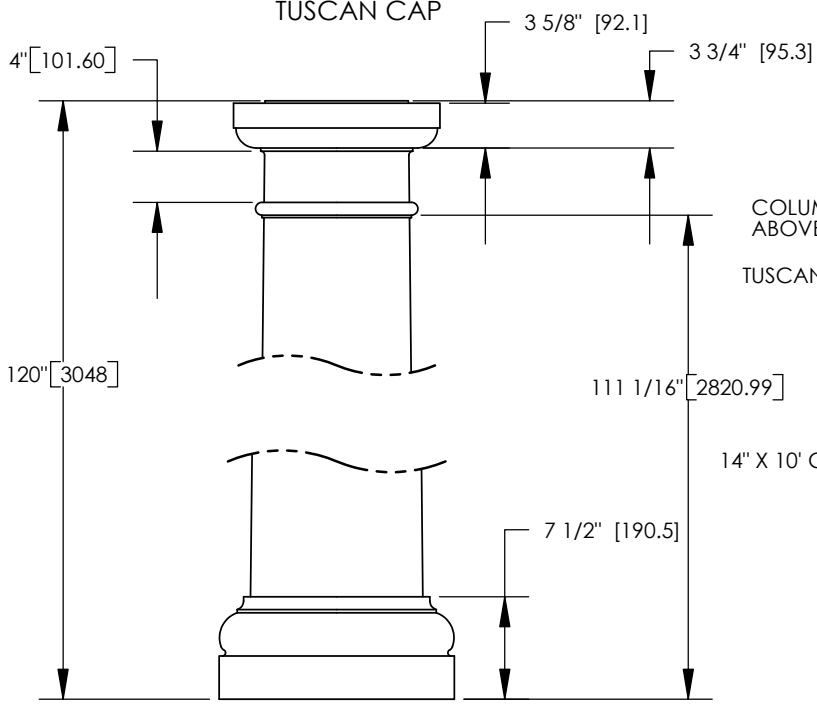
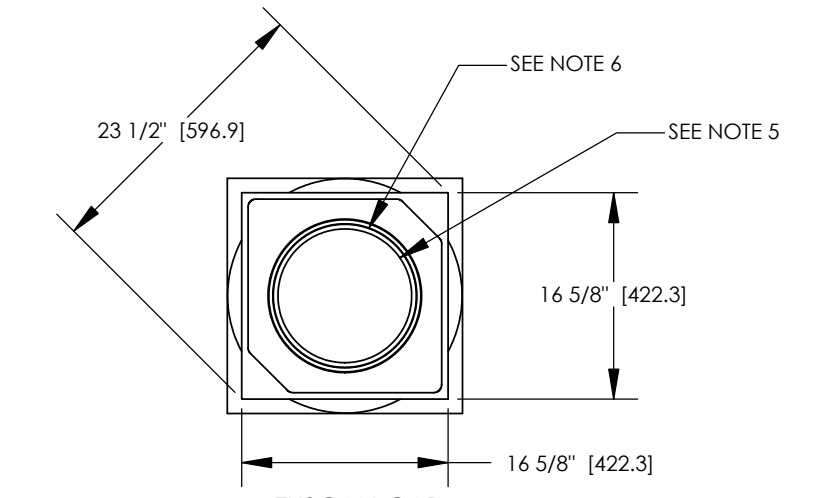


- NOTES:
1. DIMENSIONS WITHIN THE PARENTHESES ARE METRIC UNITS (millimeters) or (Kg=Kilograms)
 2. MATERIAL: FIBERGLASS REINFORCED POLYMER (FRP)
 3. WEIGHT. COLUMN: 200 Lb. (90.7 Kg)
CAP: 20 Lb. (9.1 Kg)
BASE: 29 Lb. (13.2 Kg.)
 4. MATERIAL THICKNESS. COLUMN: 3/8" (9.5)
 5. INSIDE DIAMETER AT TOP OF COLUMN: 10 3/4" (27.3)
 6. OUTSIDE DIAMETER AT TOP OF COLUMN: 11 7/8" (301.6)
 7. INSIDE DIAMETER AT BOTTOM OF COLUMN: 12 7/8" (327.0)
 8. OUTSIDE DIAMETER AT BOTTOM OF COLUMN: 13 7/8" (352.4)
 9. TAPER STARTS 34" (863.6) FROM BOTTOM OF COLUMN.
 10. MAXIMUM LOAD BEARING LIMIT: 20000Lbs. (9071.8 Kg.)



TUSCAN BASE

		DIMENSIONS ARE IN INCHES (mm) TOLERANCES: FRACTIONAL ± 1/8" ANGULAR: MACH ± BEND ± TWO PLACE DECIMAL ± THREE PLACE DECIMAL ±	
		MATERIAL	
		FINISH	
NEXT ASSY	USED ON		
APPLICATION		DO NOT SCALE DRAWING	

	NAME	DATE
DRAWN	SOF	04/27/08
CHECKED	RK	
ENG APPR.	RK	
MFG APPR.	RK	
Q.A.	RK	
COMMENTS:		

© COPYRIGHT		
14" X 10' TUSCAN COLUMN ASSEMBLY		
SIZE	DWG. NO.	REV.
A		02
SCALE: 1/15	SHEET 1 OF 1	

FIRST CLASS BUILDING PRODUCTS
888-514-8141