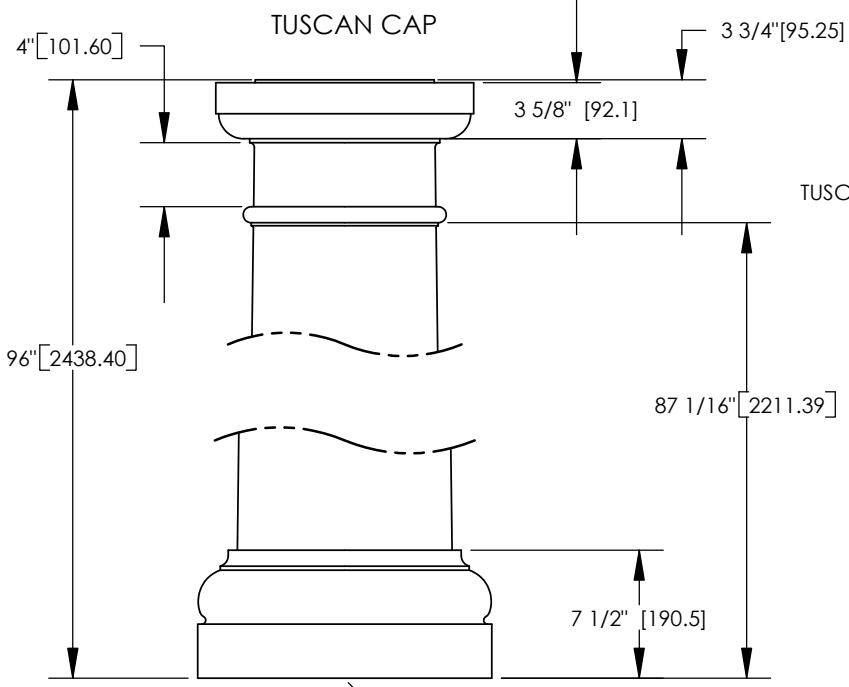
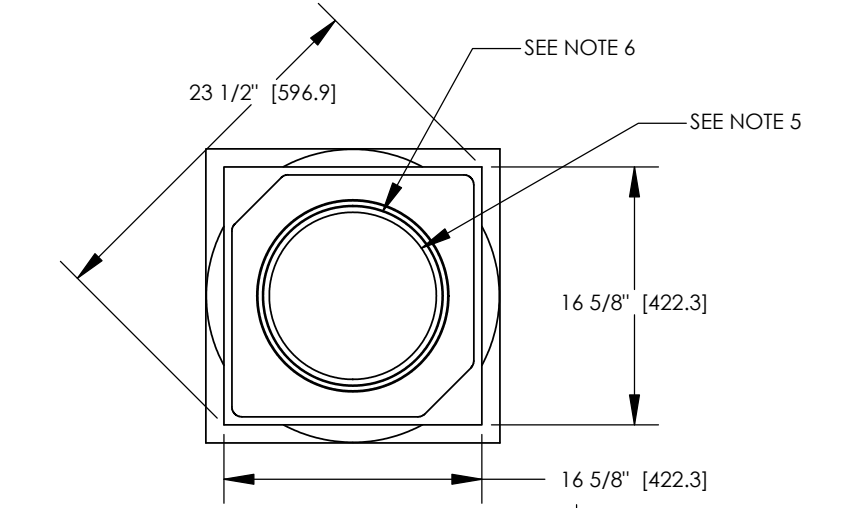
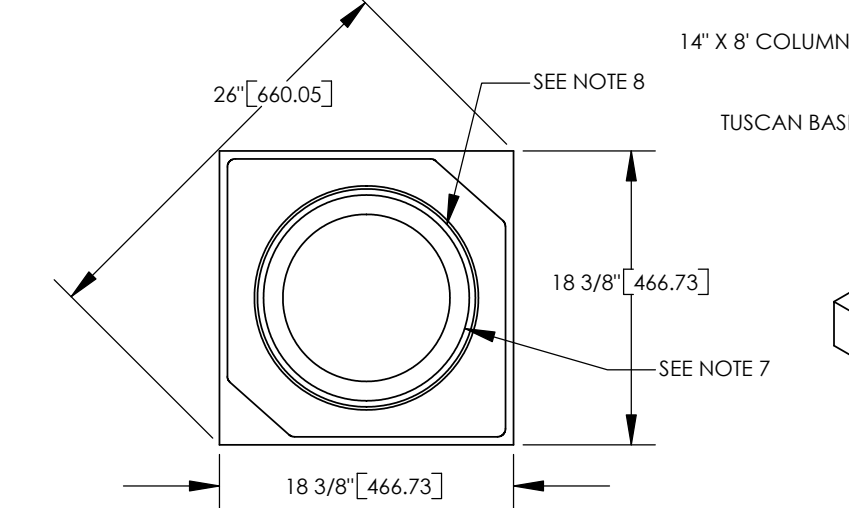
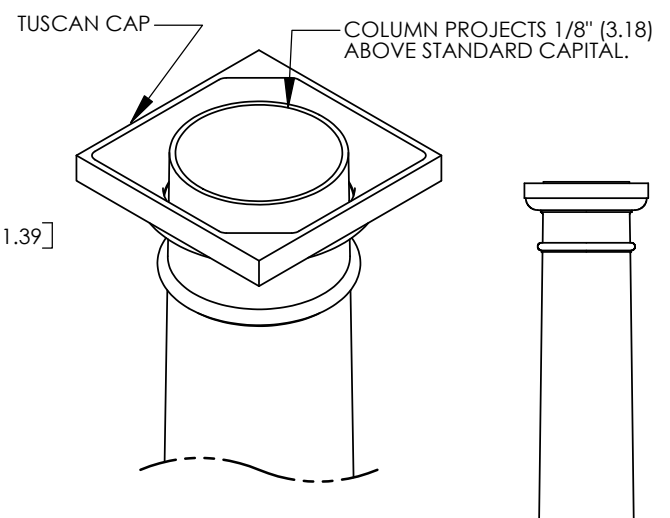


NOTES:

1. DIMENSIONS WITHIN THE PARENTHESES ARE METRIC UNITS (millimeters) or (Kg=Kilograms)
2. MATERIAL: FIBERGLASS REINFORCED POLYMER (FRP)
3. WEIGHT. COLUMN: 160 Lb. (72.5 Kg)  
CAP: 20 Lb. (9.1 Kg)  
BASE: 29 Lb. (13.2 Kg)
4. MATERIAL THICKNESS. COLUMN: 3/8" (9.5)
5. INSIDE DIAMETER AT TOP OF COLUMN: 10 3/4" (273.1)
6. OUTSIDE DIAMETER AT TOP OF COLUMN: 11 7/8" (301.6)
7. INSIDE DIAMETER AT BOTTOM OF COLUMN: 12 7/8" (327.0)
8. OUTSIDE DIAMETER AT BOTTOM OF COLUMN: 13 7/8" (352.4)
9. TAPER STARTS 10.0" (254.0) FROM BOTTOM OF COLUMN.
9. MAXIMUM LOAD BEARING LIMIT: 20000 Lbs. (9071.8 Kg.)

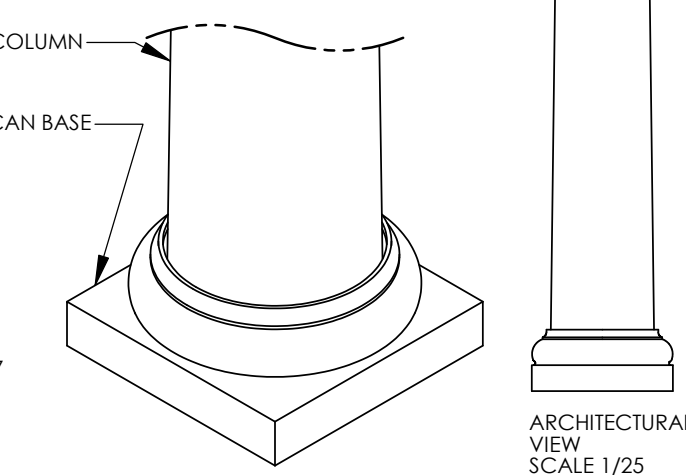


TUSCAN CAP  
COLUMN PROJECTS 1/8" (3.18) ABOVE STANDARD CAPITAL.



**FIRST CLASS BUILDING PRODUCTS**  
888-514-8141

DIMENSIONS ARE IN INCHES (mm)	
TOLERANCES:	
FRACTIONAL: ± 1/8"	
ANGULAR: MACH ±	
BEND: ±	
TWO PLACE DECIMAL ±	
THREE PLACE DECIMAL ±	
MATERIAL	FINISH
NEXT ASSY	USED ON
APPLICATION	DO NOT SCALE DRAWING



ARCHITECTURAL VIEW  
SCALE 1/25

NAME	DATE
DRAWN: SOF	04/27/08
CHECKED: RK	
ENG APPR.: RK	
MFG APPR.: RK	
Q.A.: RK	
COMMENTS:	

© COPYRIGHT

**14" X 8' TUSCAN COLUMN ASSEMBLY**

SIZE: <b>A</b>	DWG. NO.	REV. 02
SCALE: 1/12 WEIGHT:		SHEET 1 OF 1