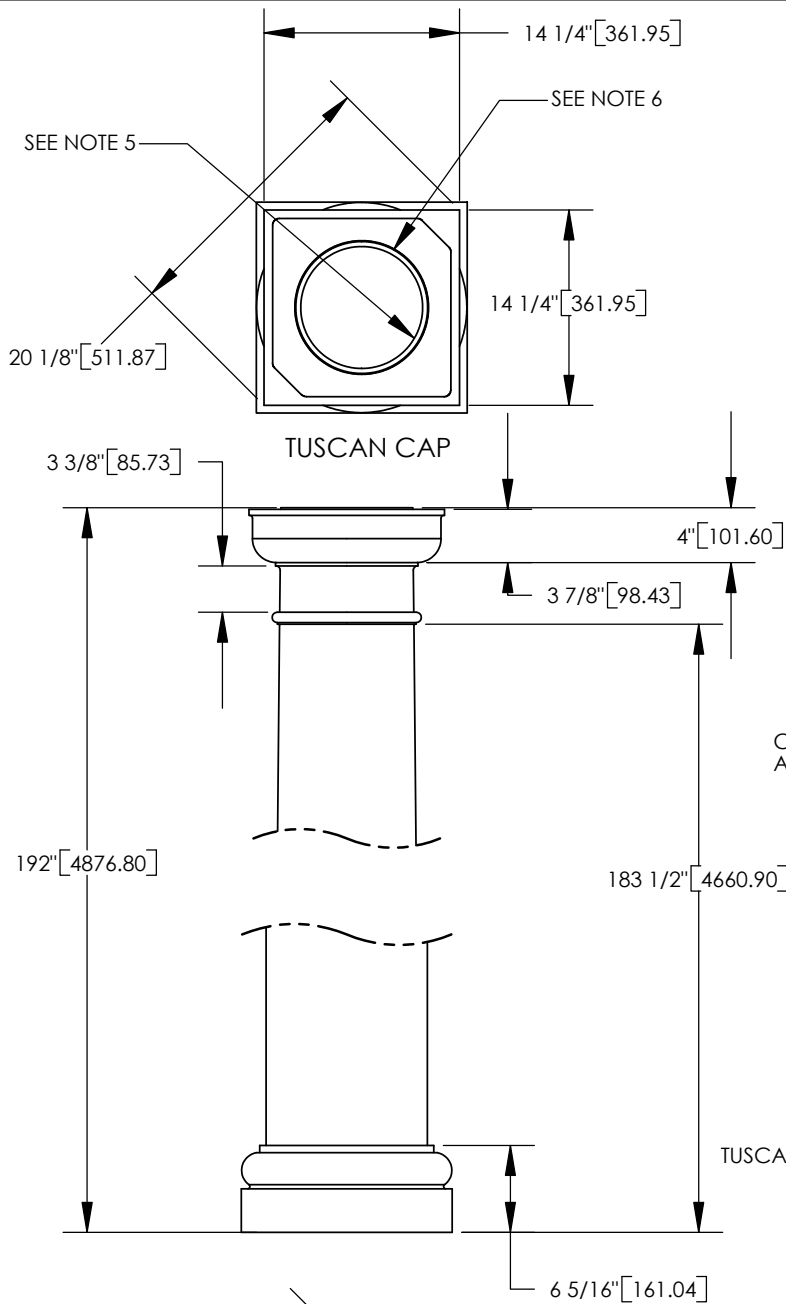
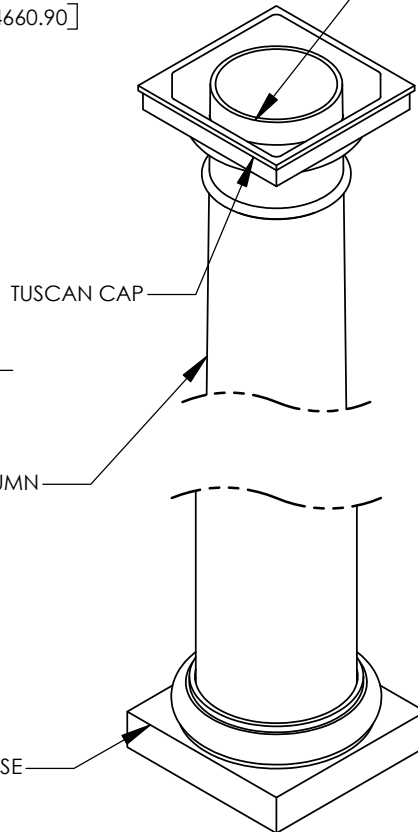


NOTES:

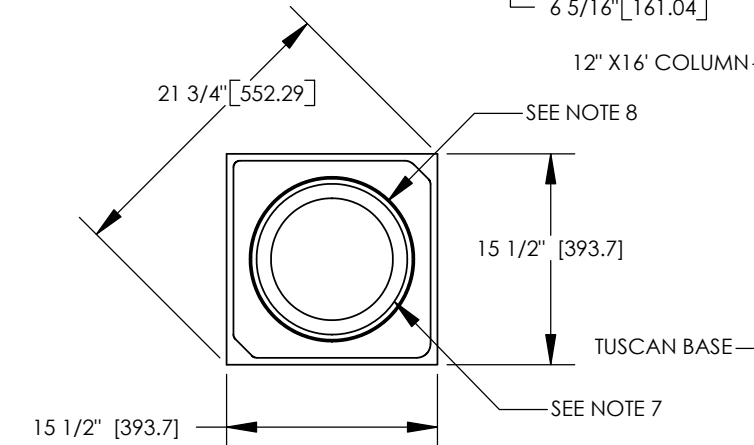
1. DIMENSIONS WITHIN THE PARENTHESES ARE METRIC UNITS (millimeters) or (Kg=Kilograms)
2. MATERIAL: FIBERGLASS REINFORCED POLYMER (FRP)
3. WEIGHT. COLUMN: 230 Lb. (104.3 Kg)
CAP: 11 Lb. (5.0 Kg)
BASE: 17 Lb. (7.7 Kg)
4. MATERIAL THICKNESS. COLUMN: 3/8" (9.5)
5. INSIDE DIAMETER AT TOP OF COLUMN: 8 7/8" (225.4)
6. OUTSIDE DIAMETER AT TOP OF COLUMN: 9 5/8" (244.5)
7. INSIDE DIAMETER AT BOTTOM OF COLUMN: 10 7/8" (276.2)
8. OUTSIDE DIAMETER AT BOTTOM OF COLUMN: 11 3/4" (298.5)
9. TAPER STARTS 84" (2133.6) FROM BOTTOM OF COLUMN.
10. MAXIMUM LOAD BEARING LIMIT: 20000Lbs. (9071.8Kg.)



COLUMN PROJECTS 1/8" (3.18) ABOVE STANDARD CAPITAL.



ARCHITECTURAL VIEW SCALE: 1/25



TUSCAN BASE



888-514-8141

		DIMENSIONS ARE IN INCHES (mm) TOLERANCES: FRACTIONAL: ± 1/8" ANGULAR: MACH ± BEND ± TWO PLACE DECIMAL ± THREE PLACE DECIMAL ±		NAME	DATE	© COPYRIGHT
		MATERIAL		DRAWN	SOF	
		FINISH		CHECKED	RK	12'X 16' TUSCAN COLUMN ASSEMBLY
		NEXT ASSY		ENG APPR.	RK	
		USED ON		MFG APPR.	RK	
		APPLICATION		Q.A.	RK	
		DO NOT SCALE DRAWING		COMMENTS:		SIZE
						DWG. NO.
						REV.
						02
				SCALE: 1/14		WEIGHT:
						SHEET 1 OF 1