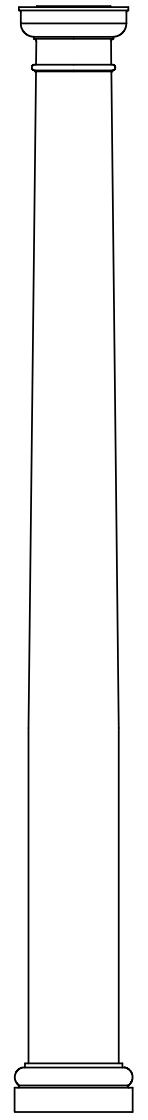
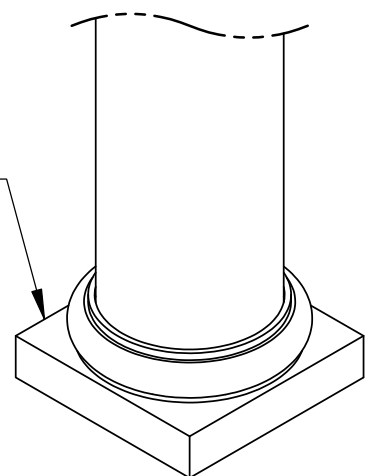
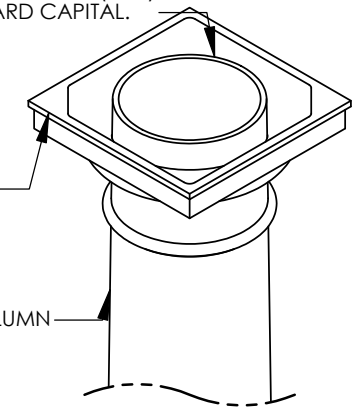


- NOTES:
1. DIMENSIONS WITHIN THE PARENTHESES ARE METRIC UNITS (millimeters) or (Kg=Kilograms)
 2. MATERIAL: FIBERGLASS REINFORCED POLYMER (FRP)
 3. WEIGHT. COLUMN: 150 Lb. (68.0 Kg)
CAP: 11 Lb. (5.0 Kg)
BASE: 17 Lb. (7.7 Kg)
 4. MATERIAL THICKNESS. COLUMN: 3/8" (9.5)
 5. INSIDE DIAMETER AT TOP OF COLUMN: 8 1/2" (215.9)
 6. OUTSIDE DIAMETER AT TOP OF COLUMN: 9 5/8" (244.5)
 7. INSIDE DIAMETER AT BOTTOM OF COLUMN: 11" (279.4)
 8. OUTSIDE DIAMETER AT BOTTOM OF COLUMN: 11 3/4" (298.5)
 9. TAPER STARTS 38" (965.2) FROM BOTTOM OF COLUMN.
 10. MAXIMUM LOAD BEARING LIMIT: 18000Lbs. (8164.7Kg.)

COLUMN PROJECTS 1/8" (3.18) ABOVE STANDARD CAPITAL.



ARCHITECTURAL VIEW
SCALE 1/25

TUSCAN BASE

		DIMENSIONS ARE IN INCHES (mm) TOLERANCES: FRACTIONAL: ± 1/8" ANGULAR: MACH ± BEND ± TWO PLACE DECIMAL ± THREE PLACE DECIMAL ±	
		MATERIAL	
		FINISH	
NEXT ASSY	USED ON	DO NOT SCALE DRAWING	
APPLICATION			

NAME	DATE
DRAWN: SOF	04/26/08
CHECKED: RK	
ENG APPR.: RK	
MFG APPR.: RK	
Q.A.: RK	
COMMENTS:	

© COPYRIGHT		
12" x 12' TUSCAN COLUMN ASSEMBLY		
SIZE: A	DWG. NO.	REV. 02
SCALE: 1/12	WEIGHT:	SHEET 1 OF 1

FIRST CLASS BUILDING PRODUCTS
888-514-8141