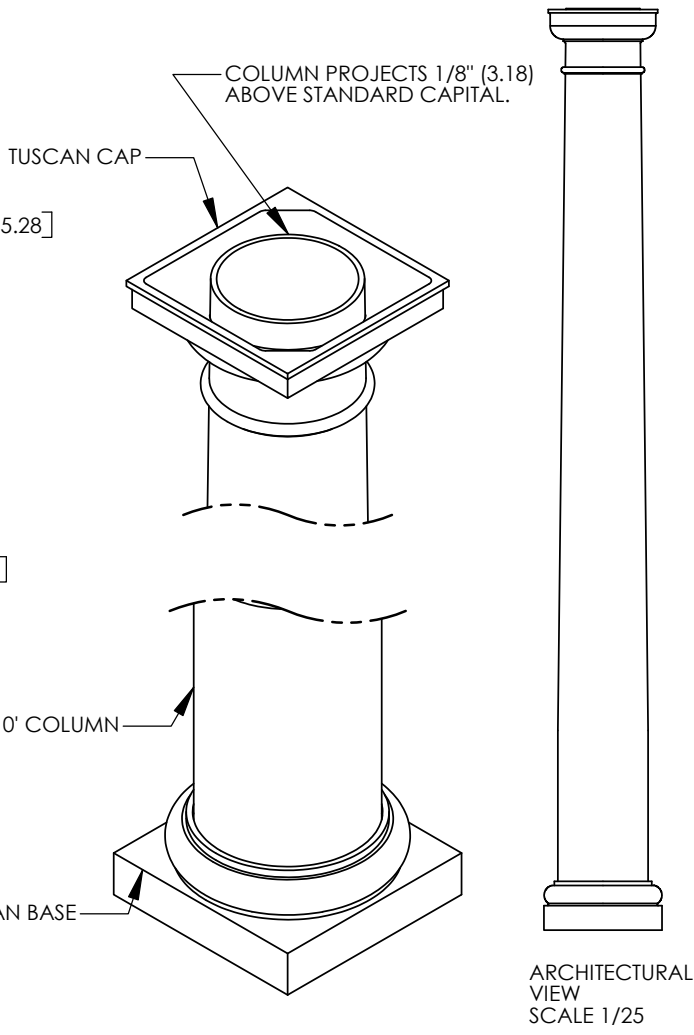


- NOTES:
1. DIMENSIONS WITHIN THE PARENTHESES ARE METRIC UNITS ( millimeters) or (Kg= kilograms)
  2. MATERIAL: FIBERGLASS REINFORCED POLYMER (FRP)
  3. WEIGHT. COLUMN: 128 Lb. (58 Kg)  
CAP: 11 Lb. (5 Kg)  
BASE: 17 Lb (7.7 Kg)
  4. MATERIAL THICKNESS. COLUMN: 3/8" (9.5)
  5. INSIDE DIAMETER AT TOP OF COLUMN: 8 3/8" (212.7)
  6. OUTSIDE DIAMETER AT TOP OF COLUMN: 9 5/8" (244.5)
  7. INSIDE DIAMETER AT BOTTOM OF COLUMN: 10 3/4" (273.1)
  8. OUTSIDE DIAMETER AT BOTTOM OF COLUMN: 11 5/8" (295.2)
  9. TAPER STARTS 24" (609.6) FROM BOTTOM OF COLUMN.
  10. MAXIMUM LOAD BEARING LIMIT: 18000Lbs. (8164.7 Kg.)



TUSCAN BASE	DIMENSIONS ARE IN INCHES (mm) TOLERANCES: FRACTIONAL: ± 1/8" ANGULAR: MACH ± BEND ± TWO PLACE DECIMAL ± THREE PLACE DECIMAL ±		NAME	DATE	© COPYRIGHT
	DRAWN	SOF	04/26/08	12" X 10' TUSCAN COLUMN ASSEMBLY	
		CHECKED	RK		
		ENG APPR.	RK		
		MFG APPR.	RK		
		Q.A.	RK		
		COMMENTS:			
NEXT ASSY	USED ON	FINISH	SIZE	DWG. NO.	REV.
APPLICATION	DO NOT SCALE DRAWING		<b>A</b>		02
			SCALE: 1/12	SHEET 1 OF 1	

**FIRST CLASS BUILDING PRODUCTS**  
888-514-8141