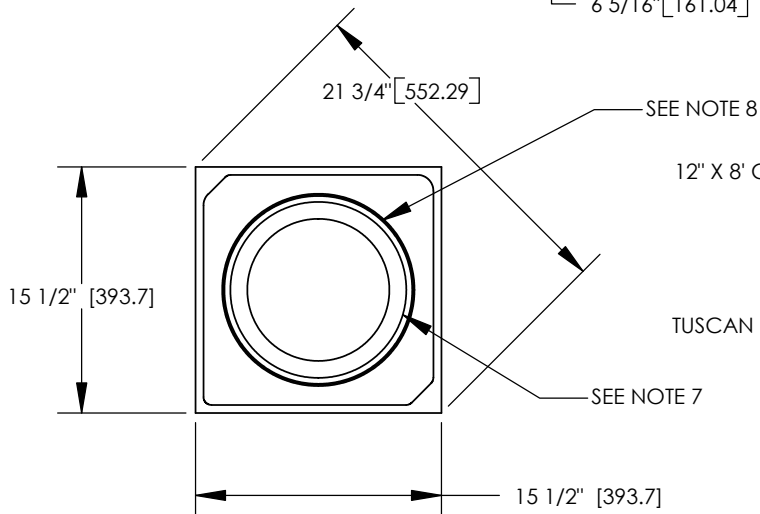
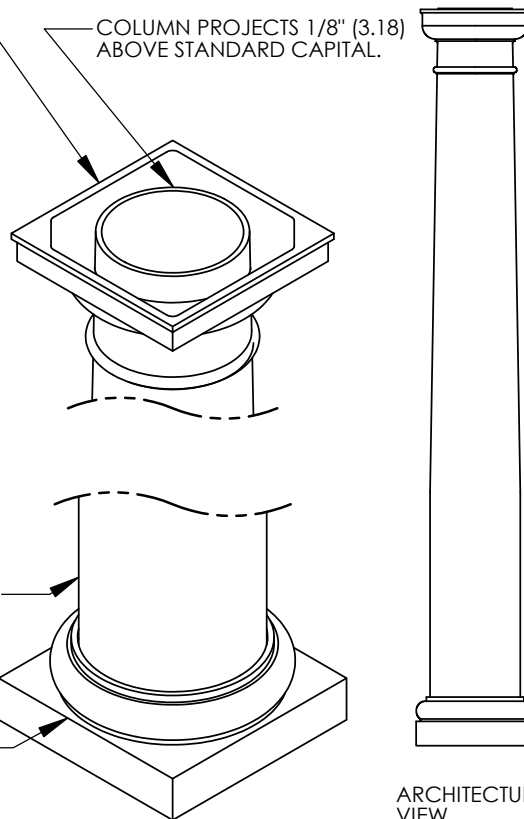
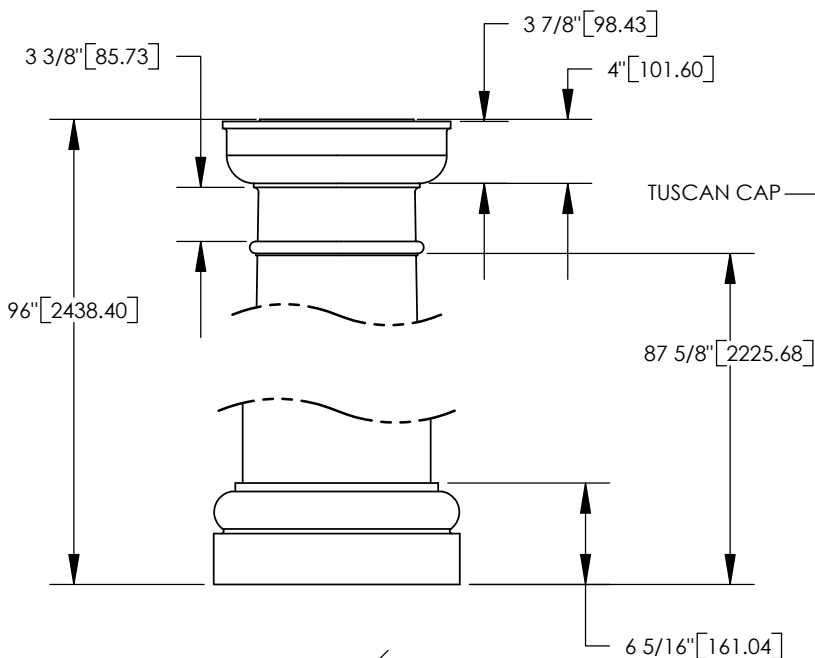
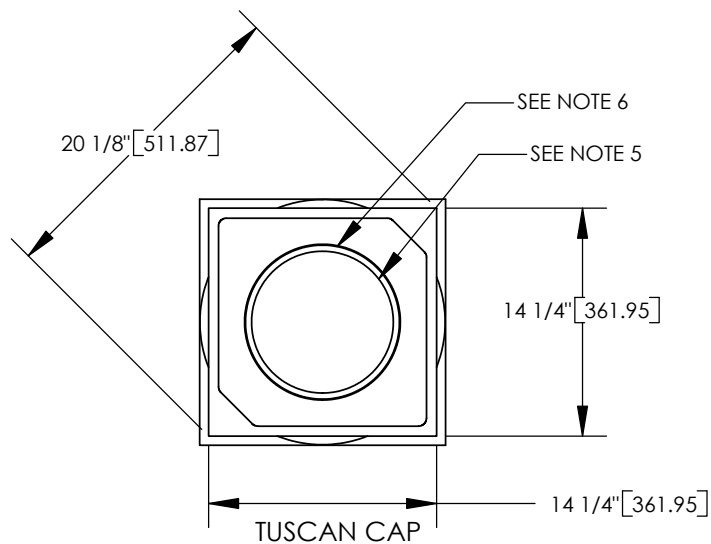


- NOTES:
1. DIMENSIONS WITHIN THE PARENTHESES ARE METRIC UNITS (millimeters) or (Kg=Kilograms)
 2. MATERIAL: FIBERGLASS REINFORCED POLYMER (FRP)
 3. WEIGHT. COLUMN: 90 Lb. (40.8 Kg.)
CAP: 11 Lb. (5.0 Kg.)
BASE: 17 Lb. (7.7 Kg.)
 4. MATERIAL THICKNESS.
COLUMN: 3/8" (9.5)
 5. INSIDE DIAMETER AT TOP OF COLUMN: 8 7/8 (225.4)
 6. OUTSIDE DIAMETER AT TOP OF COLUMN: 9 5/8" (244.5)
 7. INSIDE DIAMETER AT BOTTOM OF COLUMN: 11" (279.4)
 8. OUTSIDE DIAMETER AT BOTTOM OF COLUMN: 11 3/4" (298.5)
 9. TAPER STARTS 17" (431.8) FROM BOTTOM OF COLUMN.
 10. MAXIMUM LOAD BEARING LIMIT: 18000 Lbs. (8164.7 Kg.)



TUSCAN BASE

		DIMENSIONS ARE IN INCHES (mm) TOLERANCES: FRACTIONAL: ± 1/8" ANGULAR: MACH ± BEND ± TWO PLACE DECIMAL ± THREE PLACE DECIMAL ±		NAME	DATE
			DRAWN	SOF	04/26/08
		MATERIAL	CHECKED	RK	
			ENG APPR.	RK	
		FINISH	MFG APPR.	RK	
			Q.A.	RK	
NEXT ASSY	USED ON		COMMENTS:		
APPLICATION		DO NOT SCALE DRAWING			

© COPYRIGHT

12" X 8" TUSCAN COLUMN ASSEMBLY

FIRST CLASS
BUILDING PRODUCTS

888-514-8141

SIZE	DWG. NO.	REV.
A		02
SCALE: 1/12	WEIGHT:	SHEET 1 OF 1