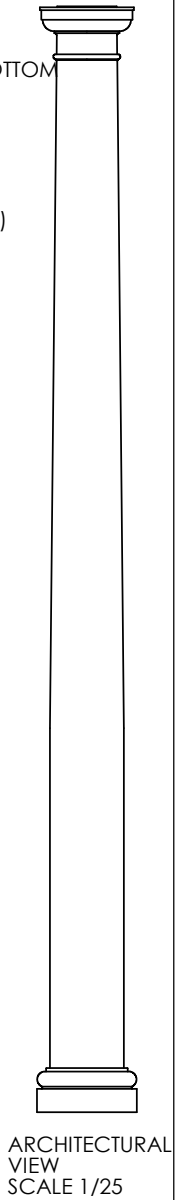
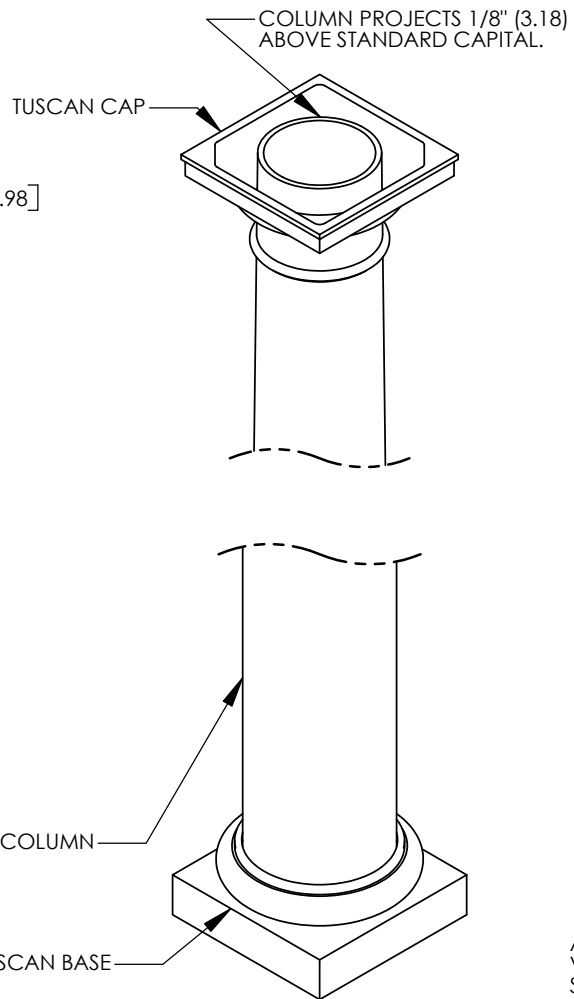


NOTES:

1. DIMENSIONS WITHIN THE PARENTHESES ARE METRIC UNITS (millimeters) or (Kg.=Kilograms)
2. MATERIAL: FIBERGLASS REINFORCED POLYMER (FRP)
3. WEIGHT. COLUMN: 130 Lb. (58.9 Kg.)
CAP: 8 Lb. (3.6 Kg.)
BASE: 15 Lb. (6.8 Kg.)
4. MATERIAL THICKNESS.
COLUMN: 3/8" (9.5)
5. INSIDE DIAMETER AT TOP OF COLUMN: 7" (177.8)
6. OUTSIDE DIAMETER AT TOP OF COLUMN: 7 5/8" (193.7)
7. INSIDE DIAMETER AT BOTTOM OF COLUMN: 9 1/8" (231.8)
8. OUTSIDE DIAMETER AT BOTTOM OF COLUMN: 9 3/4" (247.7)
9. TAPER STARTS 66" (1676.4) FROM BOTTOM OF COLUMN.
10. MAXIMUM LOAD BEARING LIMIT: 14000 Lbs. (6350 Kg)



ARCHITECTURAL VIEW
SCALE 1/25

TUSCAN BASE

		DIMENSIONS ARE IN INCHES (mm)	
		TOLERANCES: FRACTIONAL: ± 1/8" ANGULAR: MACH ± BEND ± TWO PLACE DECIMAL ± THREE PLACE DECIMAL ±	
		MATERIAL	
		FINISH	
NEXT ASSY	USED ON		
APPLICATION		DO NOT SCALE DRAWING	

NAME	DATE
DRAWN: SOF	4/26/08
CHECKED: RK	
ENG APPR.: RK	
MFG APPR.: RK	
Q.A.: RK	
COMMENTS:	

©COPYRIGHT

10" X 12' TUSCAN COLUMN ASSEMBLY

SIZE	DWG. NO.	REV.
A		02
SCALE: 1/12	WEIGHT:	SHEET 1 OF 1

FIRST CLASS
BUILDING PRODUCTS

888-514-8141