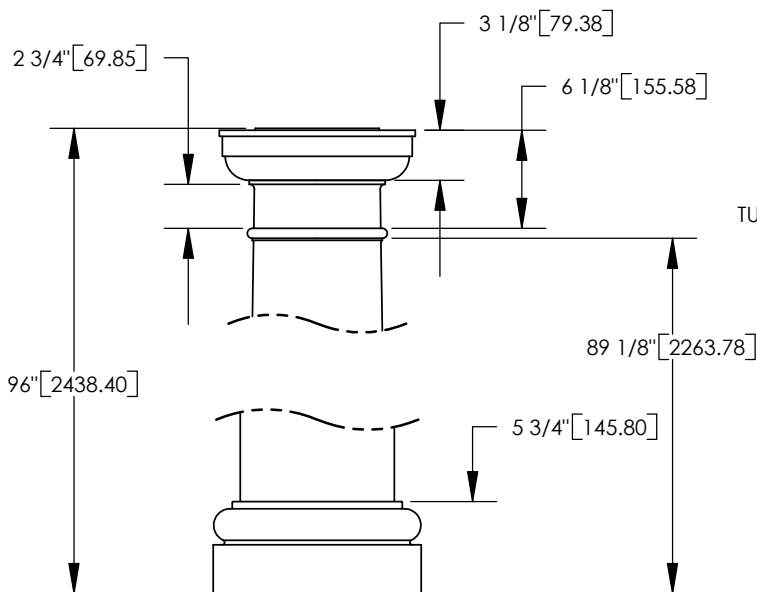
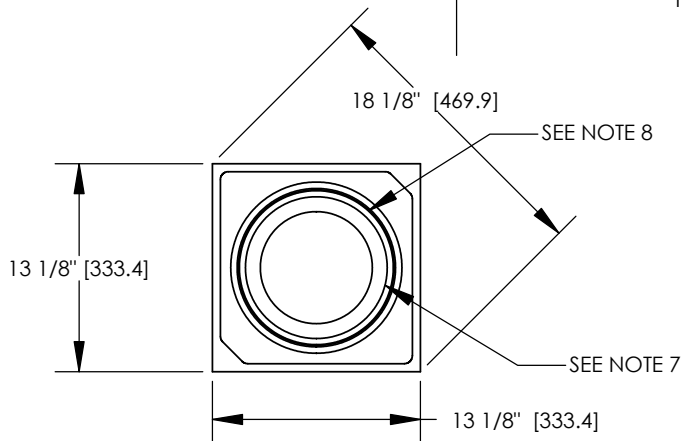


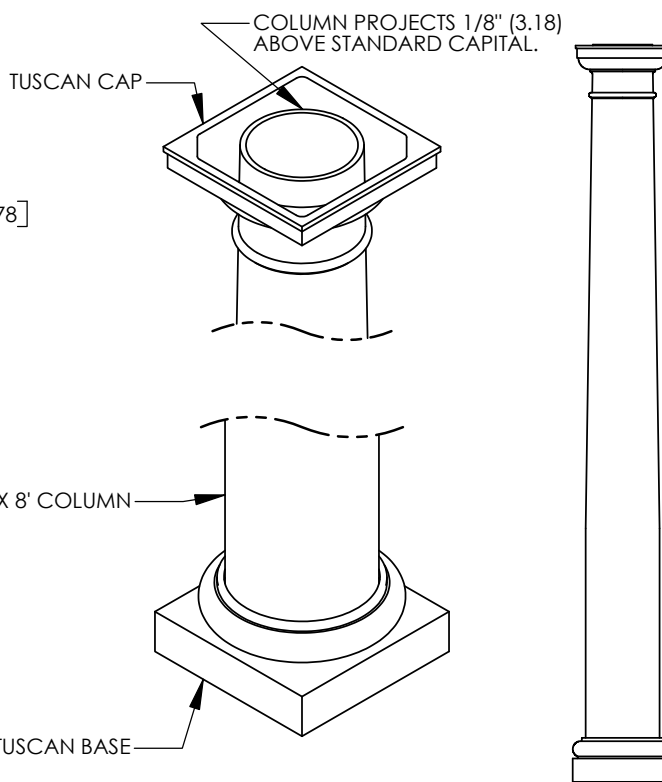
TUSCAN CAP



TUSCAN BASE



- NOTES:
1. DIMENSIONS WITHIN THE PARENTHESES ARE METRIC UNITS (millimeters) or (Kg=Kilograms)
 2. MATERIAL: FIBERGLASS REINFORCED POLYMER (FRP)
 3. WEIGHT. COLUMN: 83 Lb. (37.6 Kg)
CAP: 8 Lb. (3.6 Kg)
BASE: 15 Lb. (6.8 Kg)
 4. MATERIAL THICKNESS. COLUMN: 3/8" (9.5)
 5. INSIDE DIAMETER AT TOP OF COLUMN: 6 7/8" (174.6)
 6. OUTSIDE DIAMETER AT TOP OF COLUMN: 7 5/8" (193.7)
 7. INSIDE DIAMETER AT BOTTOM OF COLUMN: 8 3/4" (222.3)
 8. OUTSIDE DIAMETER AT BOTTOM OF COLUMN: 9 3/4" (247.7)
 9. TAPER STARTS 29" (736.6) FROM BOTTOM OF COLUMN.
 10. MAXIMUM LOAD BEARING LIMIT: 14000 Lbs. (6350.3 Kg)



ARCHITECTURAL VIEW SCALE 1/25

FIRST CLASS BUILDING PRODUCTS

888-514-8141

		DIMENSIONS ARE IN INCHES (mm) TOLERANCES: FRACTIONAL: ± 1/8" ANGULAR: MACH ± BEND ± TWO PLACE DECIMAL ± THREE PLACE DECIMAL ±			
		MATERIAL			
		FINISH			
NEXT ASSY	USED ON				
APPLICATION		DO NOT SCALE DRAWING			

	NAME	DATE
DRAWN	SOF	4/26/08
CHECKED	RK	
ENG APPR.	RK	
MFG APPR.	RK	
Q.A.	RK	
COMMENTS:		

©COPYRIGHT		
10' X 8' TUSCAN COLUMN ASSEMBLY		
SIZE	DWG. NO.	REV.
A		02
SCALE: 1/12	WEIGHT:	SHEET 1 OF 1