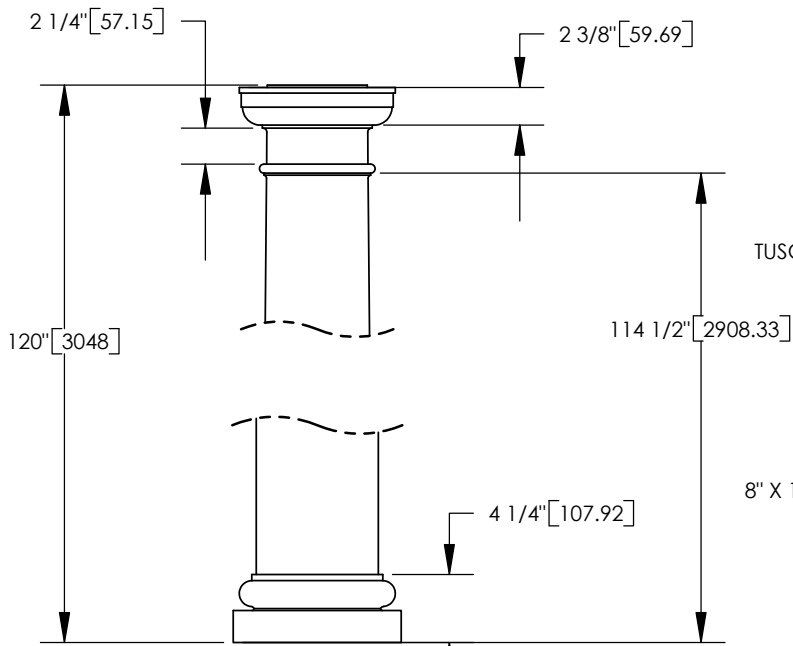
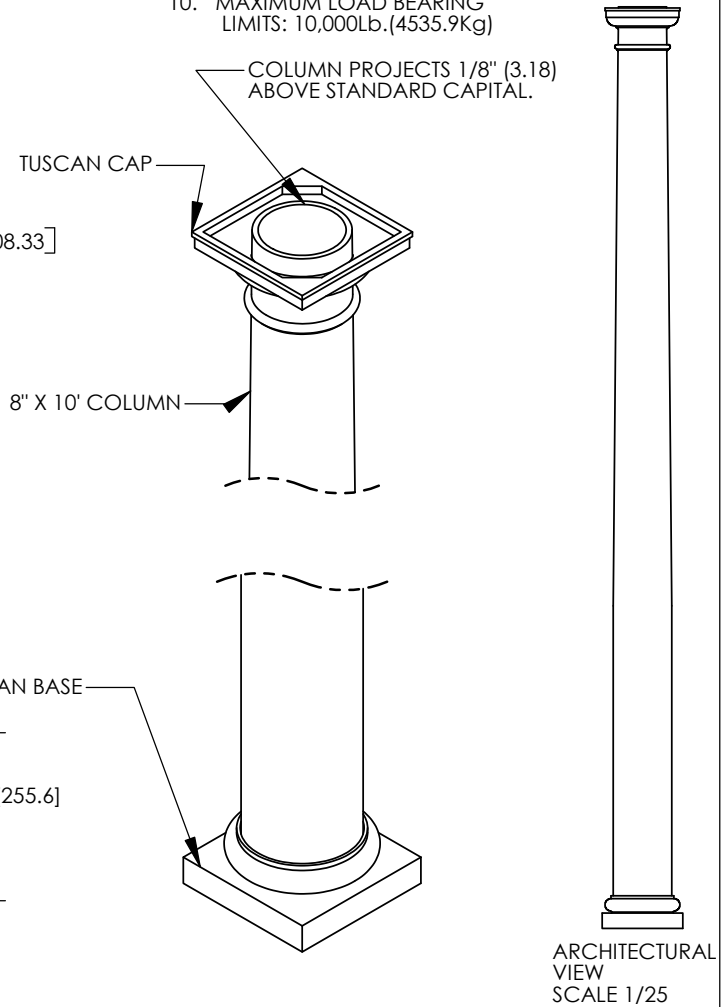
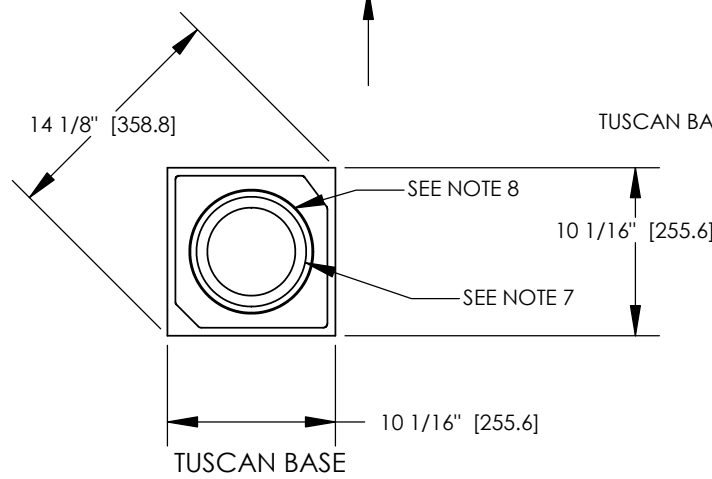


- NOTES:
1. DIMENSIONS WITHIN THE PARENTHESES ARE METRIC UNITS (millimeters) or (Kg=Kilograms)
  2. MATERIAL: FIBERGLASS REINFORCED POLYMER (FRP)
  3. WEIGHT. COLUMN: 73 Lb. (33.1 Kg)  
CAP: 5 Lb. (2.3 Kg)  
BASE: 7 Lb. (3.2 Kg)
  4. MATERIAL THICKNESS. COLUMN: 3/8" (9.5)
  5. INSIDE DIAMETER AT TOP OF COLUMN: 5 3/8" (136.5)
  6. OUTSIDE DIAMETER AT TOP OF COLUMN: 6 1/8" (155.8)
  7. INSIDE DIAMETER AT BOTTOM OF COLUMN: 6 5/8" (168.3)
  8. OUTSIDE DIAMETER AT BOTTOM OF COLUMN: 7 1/2" (190.5)
  9. TAPER STARTS 38" (955.2) FROM BOTTOM OF COLUMN.
  10. MAXIMUM LOAD BEARING LIMITS: 10,000Lb.(4535.9Kg)



COLUMN PROJECTS 1/8" (3.18) ABOVE STANDARD CAPITAL.



|             |         |   |           |              |   |          |
|-------------|---------|---|-----------|--------------|---|----------|
|             |         | DIMENSIONS ARE IN INCHES (mm)<br>TOLERANCES:<br>FRACTIONAL: ± 1/8"<br>ANGULAR: MACH ±<br>BEND ±<br>TWO PLACE DECIMAL ±<br>THREE PLACE DECIMAL ± | NAME      | DATE         | © COPYRIGHT<br><br><b>8" X 10' TUSCAN COLUMN ASSEMBLY</b> |          |
|             |         |   | DRAWN     | SOF          |   | 04/26/08 |
|             |         |   | CHECKED   | RK           |   |          |
|             |         |   | ENG APPR. | RK           |   |          |
|             |         |   | MFG APPR. | RK           |   |          |
|             |         |   | Q.A.      | RK           |   |          |
|             |         | COMMENTS:   |           |              |   |          |
| NEXT ASSY   | USED ON | FINISH  |           |              |   |          |
| APPLICATION |         | DO NOT SCALE DRAWING  |           |              |   |          |
|             |         | SIZE  | DWG. NO.  |              | REV.  |          |
|             |         | <b>A</b>  |           |              | 02  |          |
|             |         | SCALE: 1/12   | WEIGHT:   | SHEET 1 OF 1 |   |          |

**FIRST CLASS BUILDING PRODUCTS**  
888-514-8141