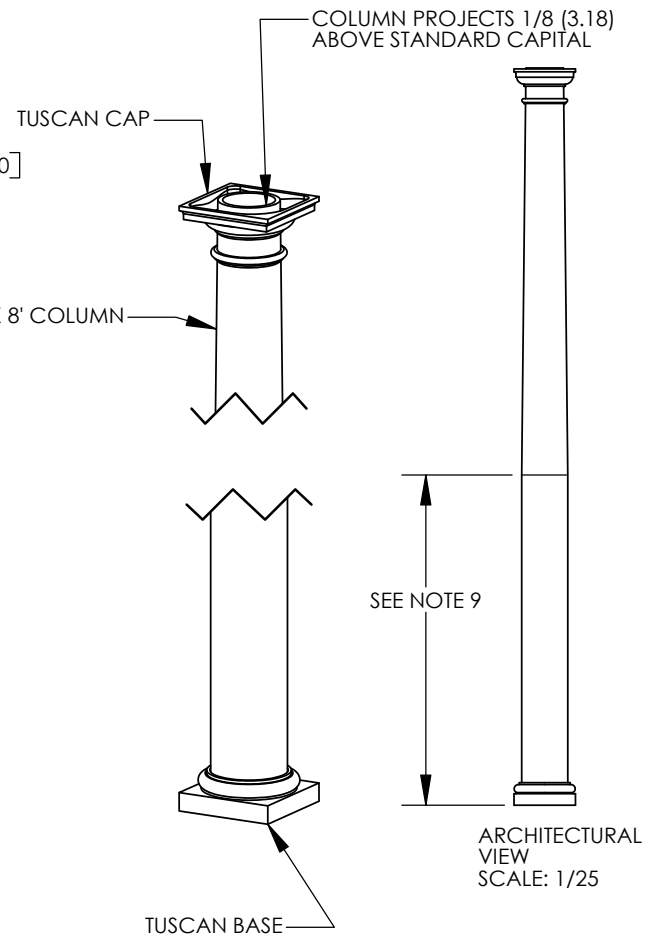


- NOTES:
1. DIMENSIONS WITHIN THE PARENTHESES ARE METRIC UNITS (millimeters) or (Kg=Kilograms)
 2. MATERIAL: FIBERGLASS REINFORCED POLYMER (FRP)
 3. WEIGHT. COLUMN: 38 Lbs. (17.24 Kg.)
CAP: _____
BASE: _____
 4. MATERIAL THICKNESS. COLUMN: 1/4" (6.35)
 5. INSIDE DIAMETER AT TOP OF COLUMN: 4 3/8" (111.1)
 6. OUTSIDE DIAMETER AT TOP OF COLUMN: 4 7/8" (123.8)
 7. INSIDE DIAMETER AT BOTTOM OF COLUMN: 5 1/2" (139.7)
 8. OUTSIDE DIAMETER AT BOTTOM OF COLUMN: 6" (152.4)
 9. TAPER STARTS 34" (863.6) FROM BOTTOM OF COLUMN.
 10. MAXIMUM LOAD BEARING LIMIT: 8000 Lbs. (3628.7Kg)
 11. OVERALL LENGTH OF COLUMN 6" x 8'



TUSCAN BASE

FIRST CLASS BUILDING PRODUCTS
888-514-8141

		DIMENSIONS ARE IN INCHES (mm) TOLERANCES: FRACTIONAL: ± 1/8" ANGULAR: MACH ± BEND ± TWO PLACE DECIMAL ± THREE PLACE DECIMAL ±	
		MATERIAL	
NEXT ASSY	USED ON	FINISH	
APPLICATION		DO NOT SCALE DRAWING	

	NAME	DATE
DRAWN	SOF	04/26/08
CHECKED	RK	
ENG APPR.	RK	
MFG APPR.	RK	
COMMENTS:		

© COPYRIGHT

6" X 8' TUSCAN COLUMN ASSEMBLY

SIZE	DWG. NO.	REV.
A		02
SCALE: 1/12	WEIGHT:	SHEET 1 OF 1