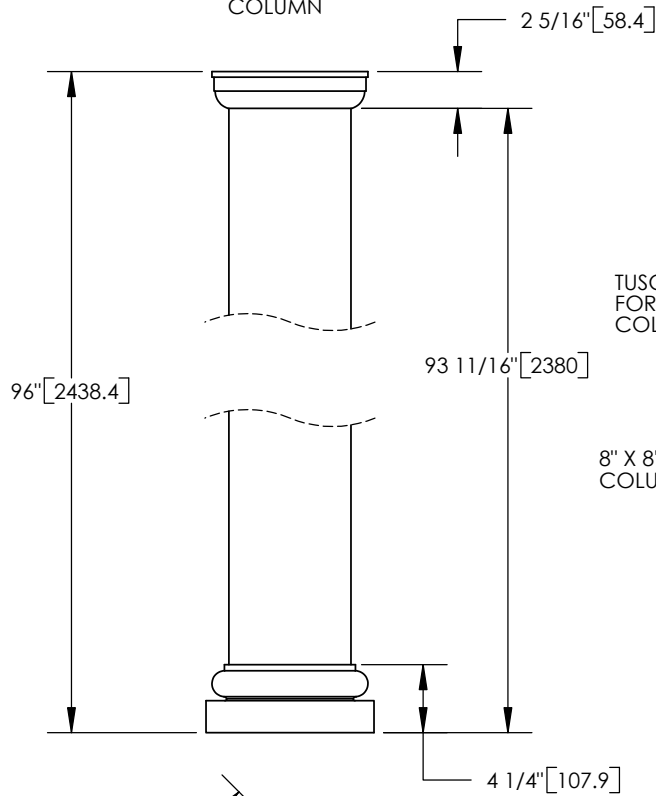
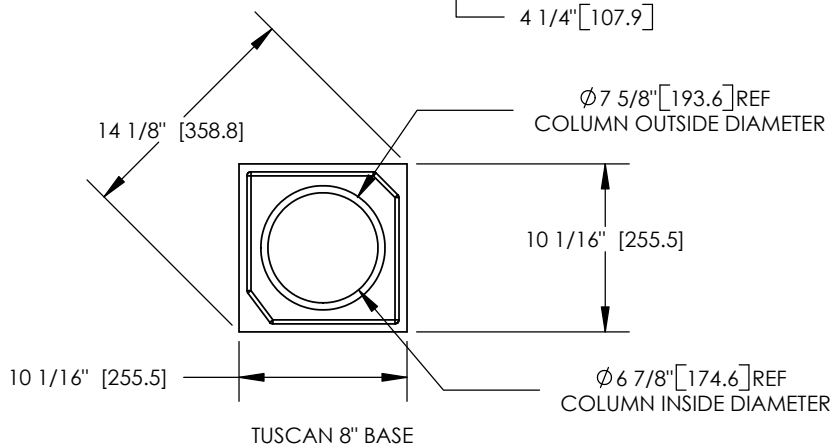
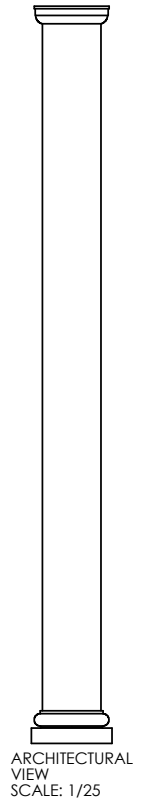


- NOTES:
1. DIMENSIONS WITHIN THE PARENTHESES ARE METRIC UNITS (millimeters) OR (Kg=Kilograms)
  2. MATERIAL: FIBERGLASS REINFORCED POLYMER (FRP)
  3. WEIGHT. COLUMN: 50Lb. (22.7 Kg)  
CAP: 5Lb. (2.3 Kg.)  
BASE: 7Lb. (3.2 Kg.)
  4. MATERIAL THICKNESS: 3/8" (9.5)
  5. MAXIMUM LOAD BEARING LIMITS: 10,000 Lb. (4535.9 Kg.)



TUSCAN 8" CAP  
FOR NON-TAPERED  
COLUMN

8" X 8' NON-TAPERED  
COLUMN



STANDARD 8" TUSCAN  
BASE

**FIRST CLASS  
BUILDING PRODUCTS**

888-514-8141

		DIMENSIONS ARE IN INCHES TOLERANCES: FRACTIONAL: $\pm 1/8$ " ANGULAR: MACH $\pm$ BEND $\pm$ TWO PLACE DECIMAL $\pm$ THREE PLACE DECIMAL $\pm$		NAME	DATE
			DRAWN	SOF	05/05/08
			CHECKED	RK	
			ENG APPR.	RK	
		MATERIAL	MFG APPR.	RK	
		FINISH	Q.A.	RK	
NEXT ASSY	USED ON		COMMENTS:		
APPLICATION		DO NOT SCALE DRAWING			

©COPYRIGHT

8" x 8' TUSCAN NON-TAPERED  
COLUMN ASSEMBLY

SIZE DWG. NO.

A

REV.  
02

SCALE: 1:12

SHEET 1 OF 1