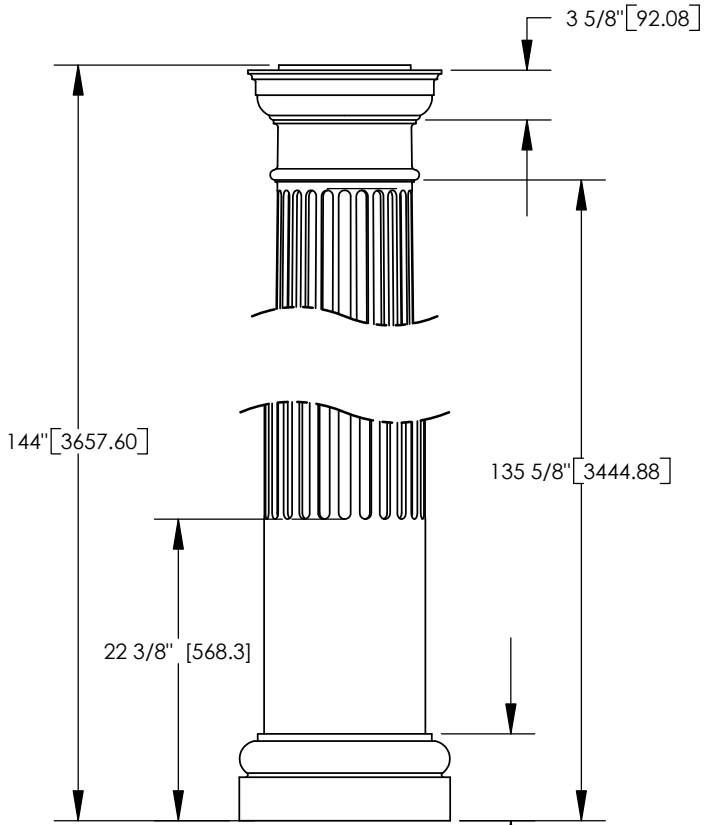
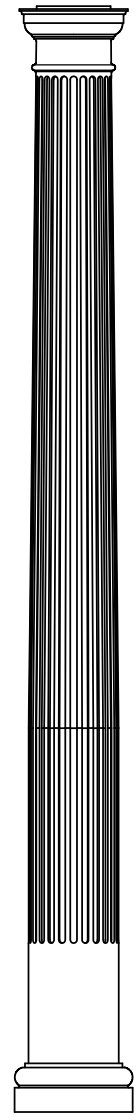
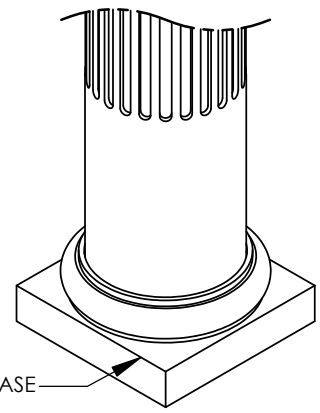
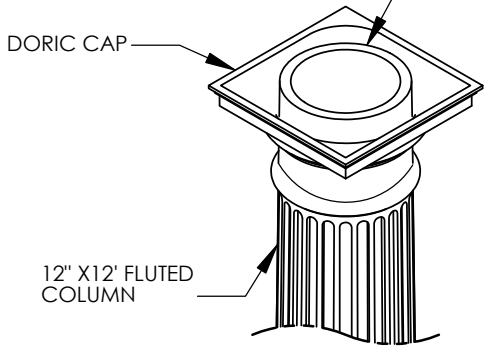


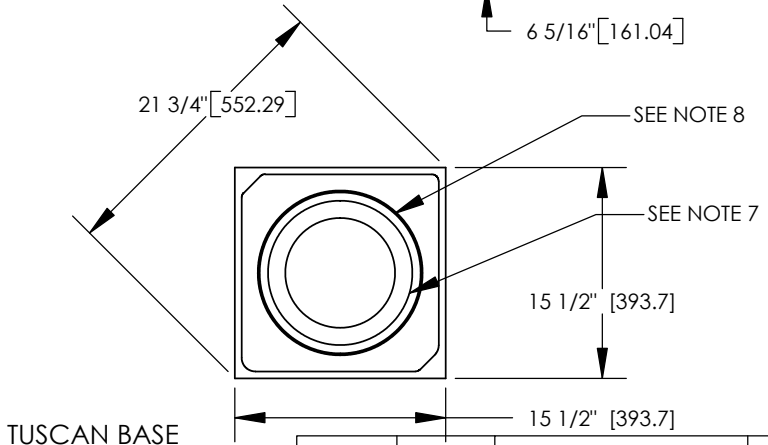
- NOTES:
1. DIMENSIONS WITHIN THE PARENTHESES ARE METRIC UNITS (millimeter) or (Kg=Kilograms)
 2. MATERIAL: FIBERGLASS REINFORCED POLYMER (FRP)
 3. WEIGHT. COLUMN: 150 Lb. (68.0 Kg)
CAP: 14 Lb. (6.4 Kg)
BASE: 17 Lb. (7.7 Kg)
 4. MATERIAL THICKNESS. COLUMN: 3/8" (9.5)
 5. INSIDE DIAMETER AT TOP OF COLUMN: 8 3/8" (212.7)
 6. OUTSIDE DIAMETER AT TOP OF COLUMN: 9 1/4" (235.0)
 7. INSIDE DIAMETER AT BOTTOM OF COLUMN: 10 5/8" (269.9)
 8. OUTSIDE DIAMETER AT BOTTOM OF COLUMN: 11 5/8" (295.3)
 9. TAPER STARTS 36.0" (914.4) FROM BOTTOM OF COLUMN.
 10. 24 FLUTES



COLUMN PROJECTS 1/4" (6.35) ABOVE STANDARD CAPITAL.



ARCHITECTURAL VIEW
SCALE 1/25



FIRST CLASS BUILDING PRODUCTS
888-514-8141

| | | | |
|-------------|---------|--|--|
| | | DIMENSIONS ARE IN INCHES (mm) TOLERANCES: FRACTIONAL ± 1/8" ANGULAR: MACH ± BEND ± TWO PLACE DECIMAL ± THREE PLACE DECIMAL ± | |
| | | MATERIAL | |
| NEXT ASSY | USED ON | FINISH | |
| APPLICATION | | DO NOT SCALE DRAWING | |

| | | |
|-----------|------|----------|
| | NAME | DATE |
| DRAWN | SOF | 05/05/08 |
| CHECKED | RK | |
| ENG APPR. | RK | |
| MFG APPR. | RK | |
| Q.A. | RK | |
| COMMENTS: | | |

| | | |
|--|----------|--------------|
| © COPYRIGHT | | |
| 12" X 12 FLUTED COLUMN W / DORIC CAP & TUSCAN BASE ASSEMBLY | | |
| SIZE | DWG. NO. | REV. |
| A | | 02 |
| SCALE: 1/14 | WEIGHT: | SHEET 1 OF 1 |