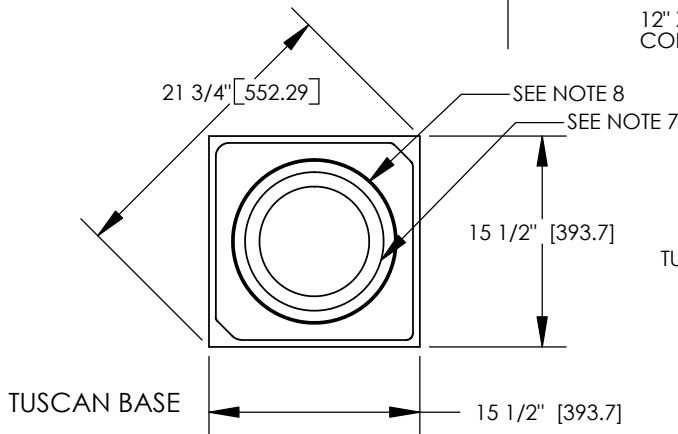
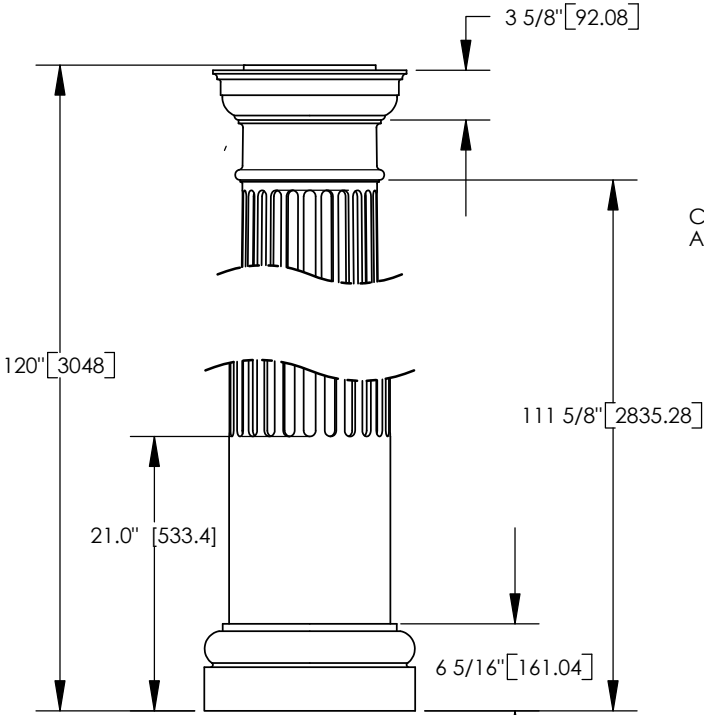
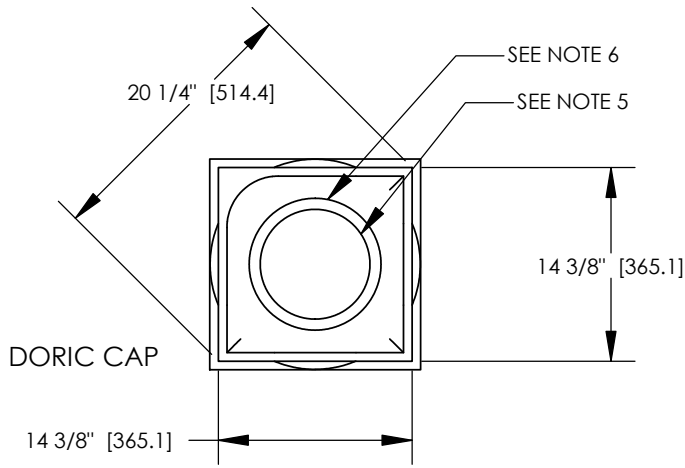


NOTES:

1. DIMENSIONS WITHIN THE PARENTHESES ARE METRIC UNITS (millimeter) or (Kg=kilograms)
2. MATERIAL: FIBERGLASS REINFORCED POLYMER (FRP)
3. WEIGHT. COLUMN: 130 Lb. (59.0 Kg)  
CAP: 14 Lb. (6.4 Kg)  
BASE: 17 Lb. (7.7 Kg)
4. MATERIAL THICKNESS. COLUMN: 3/8" (9.5)
5. INSIDE DIAMETER AT TOP OF COLUMN: 8 1/4" (209.6)
6. OUTSIDE DIAMETER AT TOP OF COLUMN: 9 1/4" (235.0)
7. INSIDE DIAMETER AT BOTTOM OF COLUMN: 10 3/4" (273.1)
8. OUTSIDE DIAMETER AT BOTTOM OF COLUMN: 11 1/4" (285.8)
9. TAPER STARTS 43.0" (1092.2) FROM BOTTOM OF COLUMN.
10. 24 FLUTES

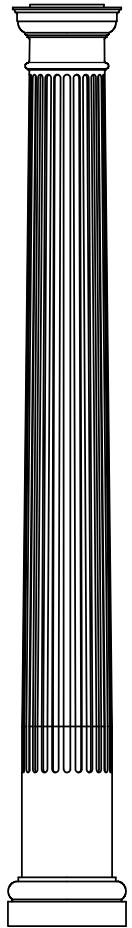


COLUMN PROJECTS 1/4" (6.35) ABOVE STANDARD CAPITAL.

DORIC CAP

12" X 10' FLUTEDE COLUMN

TUSCAN BASE



ARCHITECTURAL VIEW  
SCALE 1/25

**FIRST CLASS  
BUILDING PRODUCTS**

888-514-8141

		DIMENSIONS ARE IN INCHES (mm) TOLERANCES: FRACTIONAL ± 1/8" ANGULAR: MACH ± BEND ± TWO PLACE DECIMAL ± THREE PLACE DECIMAL ±
		MATERIAL
		FINISH
NEXT ASSY	USED ON	
APPLICATION		DO NOT SCALE DRAWING

	NAME	DATE
DRAWN	SOF	05/05/08
CHECKED	RK	
ENG APPR.	RK	
MFG APPR.	RK	
Q.A.	RK	
COMMENTS:		

© COPYRIGHT		
12" X 10' FLUTED COLUMN W/ DORIC CAP & TUSCAN BASE ASSEMBLY		
SIZE <b>A</b>	DWG. NO.	REV. 02
SCALE: 1/14		WEIGHT:
SHEET 1 OF 1		