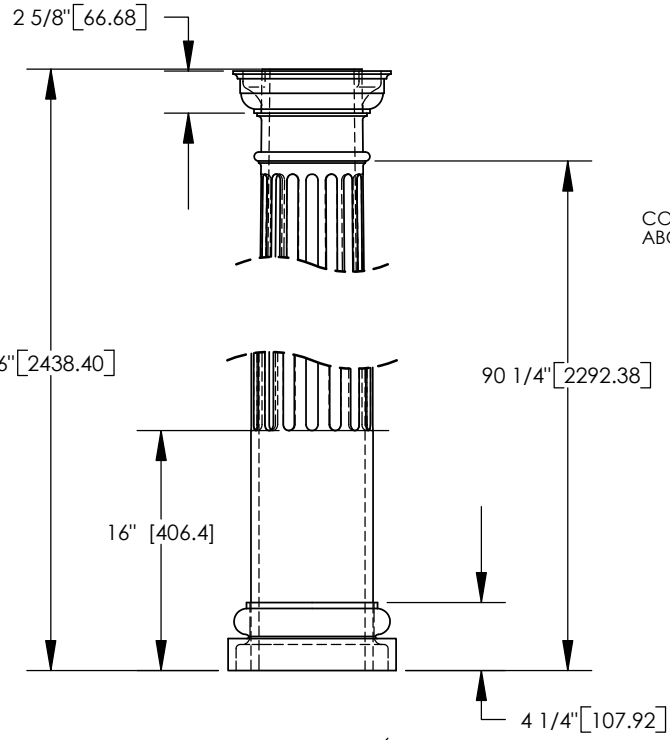
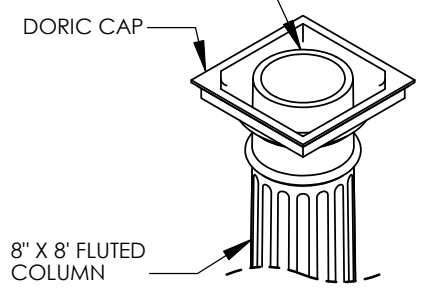


DORIC CAP

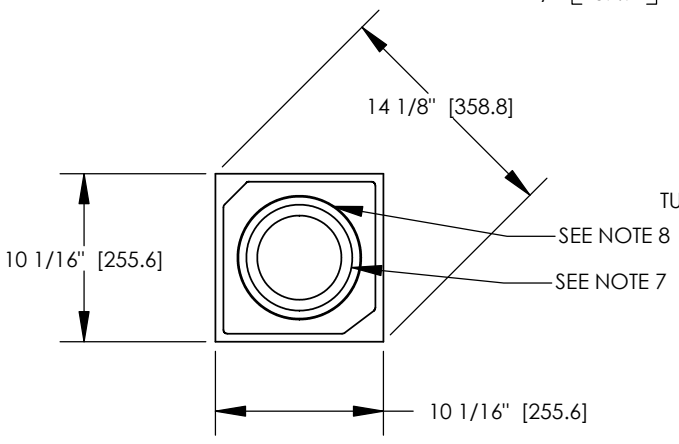
- NOTES:
1. DIMENSIONS WITHIN THE PARENTHESES ARE METRIC UNITS (millimeters) or (Kg=Kilograms)
 2. MATERIAL: FIBERGLASS REINFORCED POLYMER (FRP)
 3. WEIGHT. COLUMN: 50 Lb. (22.7 Kg)
CAP: 5 Lb. (2.3 Kg)
BASE: 7 Lb. (3.2 Kg)
 4. MATERIAL THICKNESS. COLUMN: 3/8" (9.5)
 5. INSIDE DIAMETER AT TOP OF COLUMN: 5.0" (127.0)
 6. OUTSIDE DIAMETER AT TOP OF COLUMN: 6.0" [152.4]
 7. INSIDE DIAMETER AT BOTTOM OF COLUMN: 6 7/8" (174.6)
 8. OUTSIDE DIAMETER AT BOTTOM OF COLUMN: 7 1/2" (190.5)
 9. TAPER STARTS 29" (736.6) FROM BOTTOM OF COLUMN.
 10. 16 FLUTES



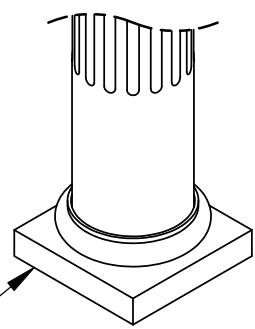
COLUMN PROJECTS 1/8" (3.18) ABOVE STANDARD CAPITAL.



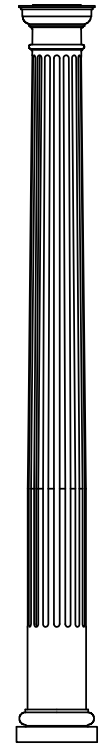
8" X 8" FLUTED COLUMN



TUSCAN BASE



TUSCAN BASE



ARCHITECTURAL VIEW SCALE 1/25

FIRST CLASS BUILDING PRODUCTS
888-514-8141

		DIMENSIONS ARE IN INCHES (mm) TOLERANCES: FRACTIONAL ± 1/8" ANGULAR: MACH ± BEND ± TWO PLACE DECIMAL ± THREE PLACE DECIMAL ±	
		MATERIAL	
NEXT ASSY		USED ON	
APPLICATION		FINISH	
		DO NOT SCALE DRAWING	

NAME	DATE
DRAWN: SOF	05/05/08
CHECKED: RK	
ENG APPR.: RK	
MFG APPR.: RK	
Q.A.: RK	
COMMENTS:	

© COPYRIGHT

8" X 8" FLUTED COLUMN W/ DORIC CAP & TUSCAN BASE ASSEMBLY

SIZE	DWG. NO.	REV.
A		02
SCALE: 1/12	WEIGHT:	SHEET 1 OF 1