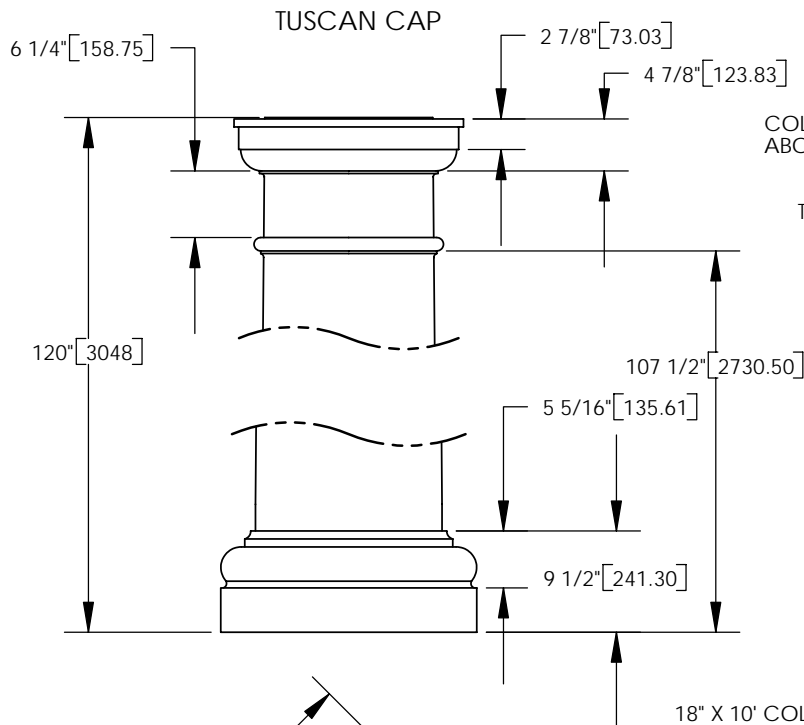
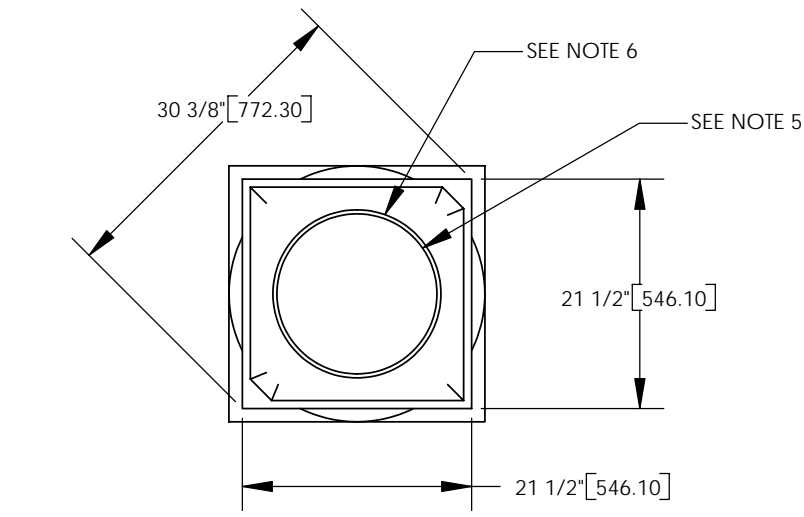


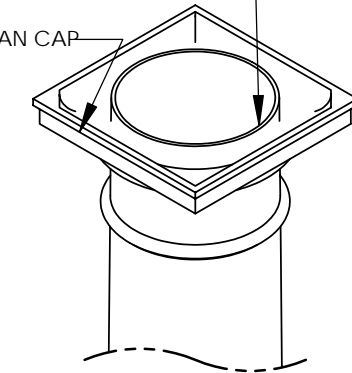
NOTES:

1. DIMENSIONS WITHIN THE PARENTHESES ARE METRIC UNITS (millimeters) or (Kg=Kilograms)
2. MATERIAL: FIBERGLASS REINFORCED POLYMER (FRP)
3. WEIGHT. COLUMN: 250 Lb. (113.4 Kg)
CAP: 34Lb. (15.4 Kg)
BASE: 53 Lb. (24.0 Kg)
4. MATERIAL THICKNESS. COLUMN: 3/8" (9.5)
5. INSIDE DIAMETER AT TOP OF COLUMN: 15" (381.0)
6. OUTSIDE DIAMETER AT TOP OF COLUMN: 15 3/4" (400.0)
7. INSIDE DIAMETER AT BOTTOM OF COLUMN: 16 3/4" (425.5)
8. OUTSIDE DIAMETER AT BOTTOM OF COLUMN: 17 1/2" (444.5)
9. TAPER STARTS 12" (304.8) FROM BOTTOM OF COLUMN

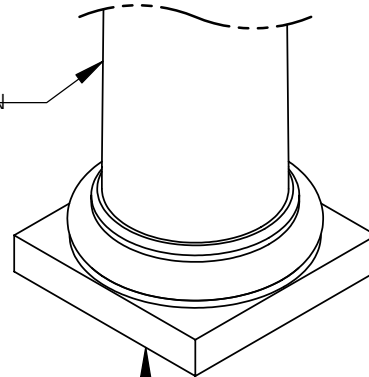


COLUMN PROJECTS 1/8" (3.18) ABOVE STANDARD CAPITAL.

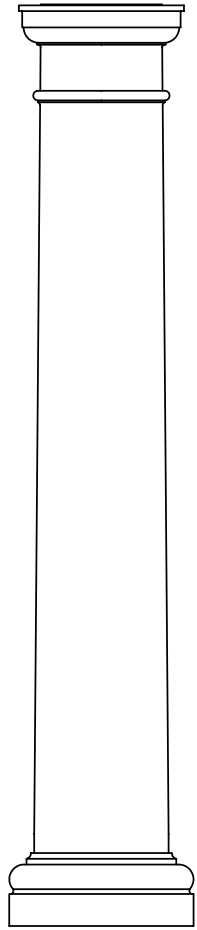
TUSCAN CAP



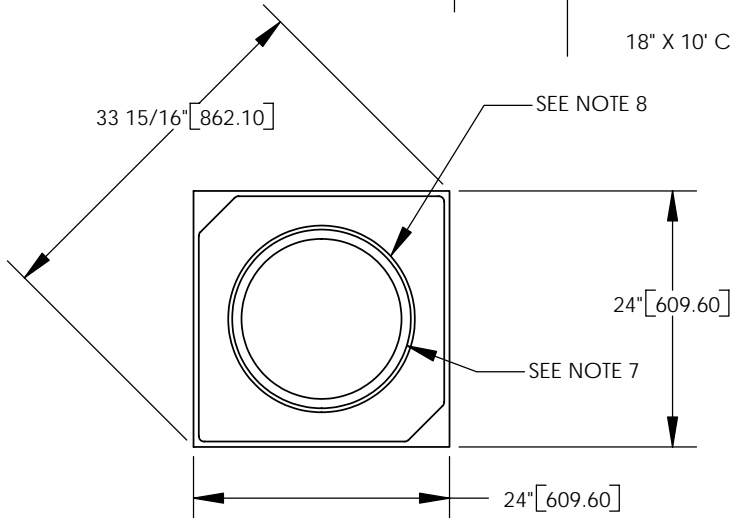
18" X 10' COLUMN



TUSCAN BASE



ARCHITECTURAL VIEW
SCALE 1/25



TUSCAN BASE

		DIMENSIONS ARE IN INCHES (mm)	
		TOLERANCES:	
		FRACTIONAL ± 1/8"	
		ANGULAR: MACH ±	
		BEND ±	
		TWO PLACE DECIMAL ±	
		THREE PLACE DECIMAL ±	
		MATERIAL --	
		FINISH --	
NEXT ASSY	USED ON		
APPLICATION		DO NOT SCALE DRAWING	

	NAME	DATE
DRAWN	SOF	
CHECKED		
ENG APPR.		
MFG APPR.		
Q.A.		
COMMENTS:		

© COPYRIGHT
First Class Building Products, Inc. 2005

18" X 10' TUSCAN COLUMN
ASSEMBLY

SIZE	DWG. NO.	REV.
A		01
SCALE: 1/18	WEIGHT:	SHEET 1 OF 1