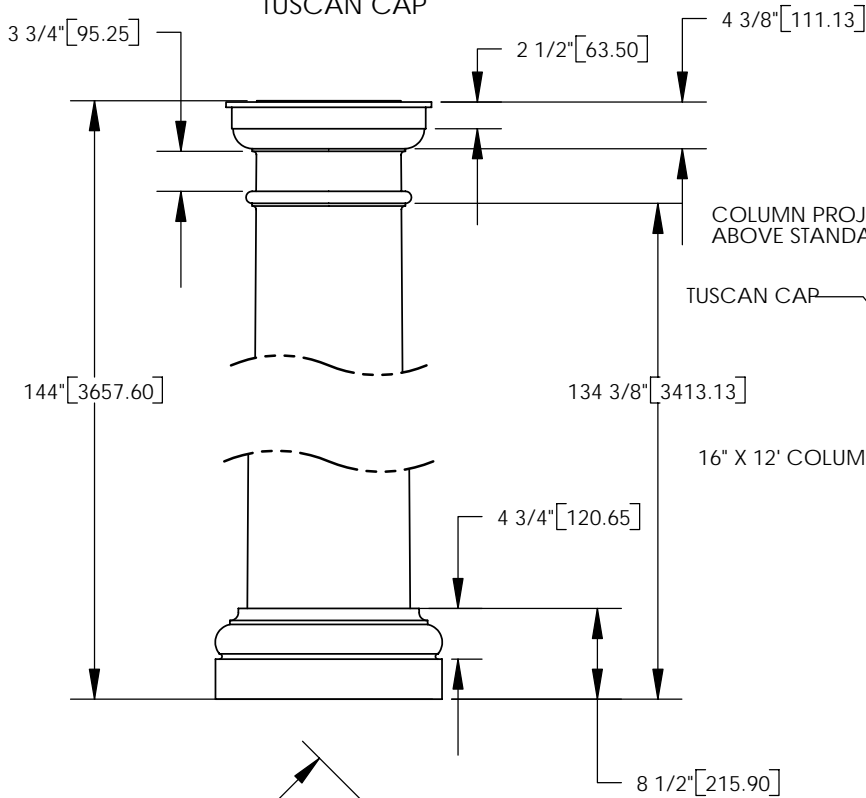


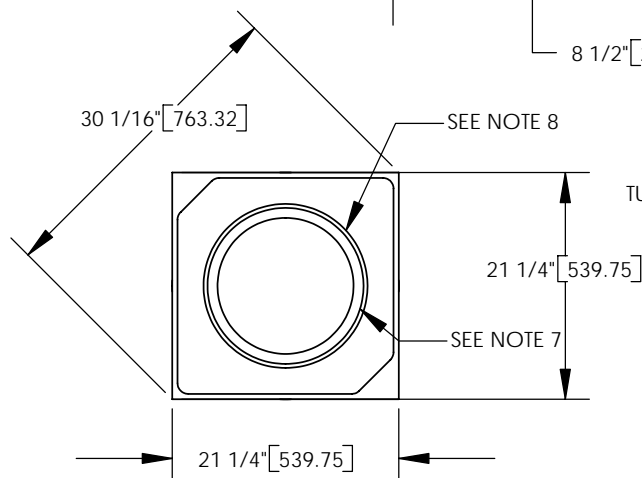
TUSCAN CAP



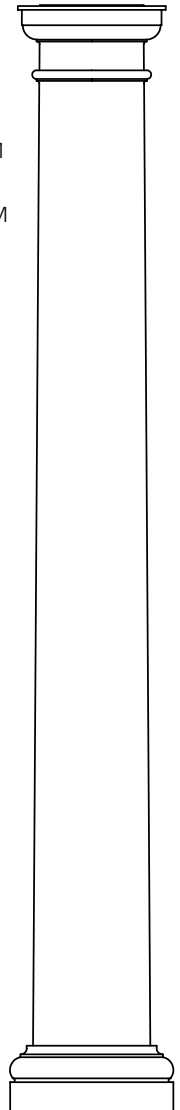
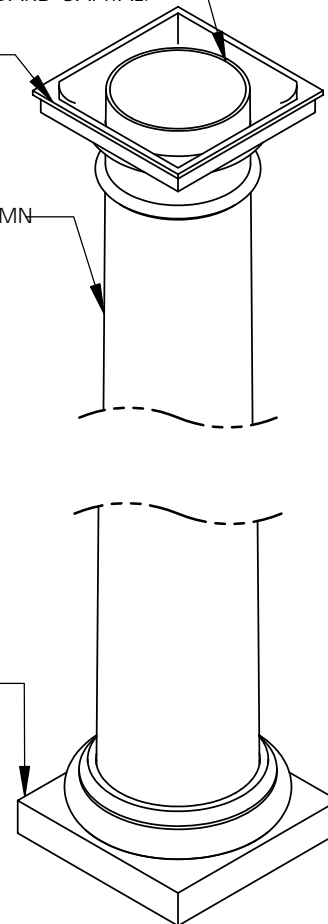
COLUMN PROJECTS 1/8" (3.18) ABOVE STANDARD CAPITAL.

TUSCAN CAP

16" X 12' COLUMN



TUSCAN BASE



ARCHITECTURAL VIEW  
SCALE 1/25

- NOTES:
1. DIMENSIONS WITHIN THE PARENTHESES ARE METRIC UNITS (millimeters) or (Kg=Kilograms)
  2. MATERIAL: FIBERGLASS REINFORCED POLYMER (FRP)
  3. WEIGHT. COLUMN: 260 Lb. (117.9 Kg)  
CAP: 25 Lb. ( 11.3 Kg)  
BASE: 41 Lb. ( 18.6 Kg)
  4. MATERIAL THICKNESS.  
COLUMN: 3/8" (9.5)
  5. INSIDE DIAMETER AT TOP OF COLUMN: 12 3/4 (323.9)
  6. OUTSIDE DIAMETER AT TOP OF COLUMN: 13 1/2 (342.9)
  7. INSIDE DIAMETER AT BOTTOM OF COLUMN: 14 5/8 (371.5)
  8. OUTSIDE DIAMETER AT BOTTOM OF COLUMN: 15 3/8 (390.5)
  9. TAPER STARTS 36" (914.4) FROM BOTTOM OF COLUMN.

DIMENSIONS ARE IN INCHES (mm)  
TOLERANCES:  
FRACTIONAL ± 1/8"  
ANGULAR: MACH ±  
BEND ±  
TWO PLACE DECIMAL ±  
THREE PLACE DECIMAL ±

MATERIAL --

FINISH --

NAME	DATE
DRAWN	SOF
CHECKED	
ENG APPR.	
MFG APPR.	
Q.A.	
COMMENTS:	

© COPYRIGHT  
First Class Building Products, Inc. 2005

16" X 12' TUSCAN COLUMN  
ASSEMBLY

SIZE	DWG. NO.	REV.
A		01
SCALE: 1/18	WEIGHT:	SHEET 1 OF 1

Tel: (888) 514-8141  
Fax: (770) 514-0731  
E-Mail: firstclassbp@mindspring.com

NEXT ASSY	USED ON
APPLICATION	DO NOT SCALE DRAWING