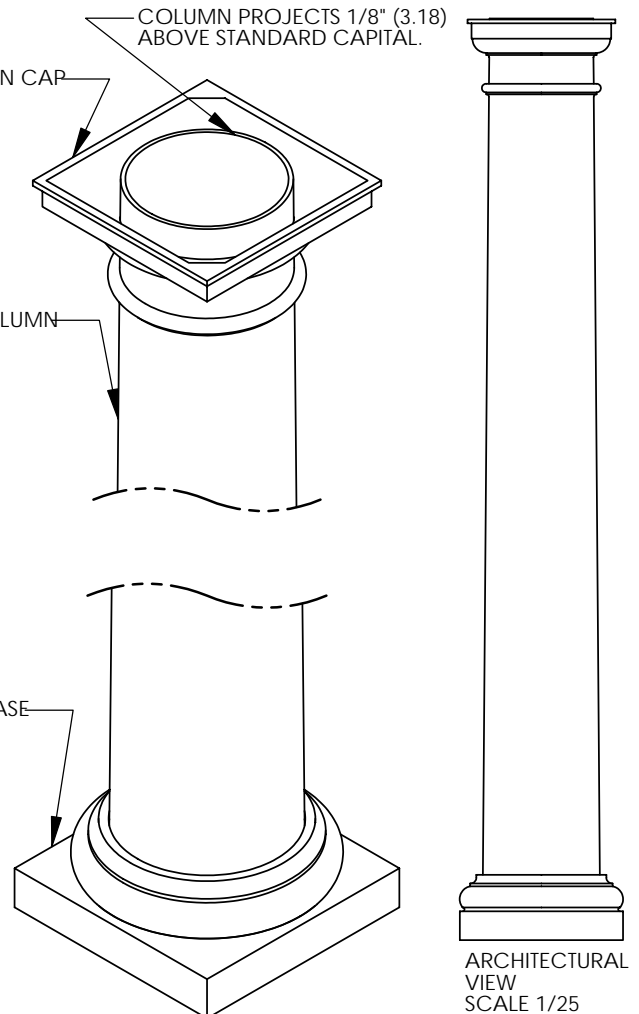
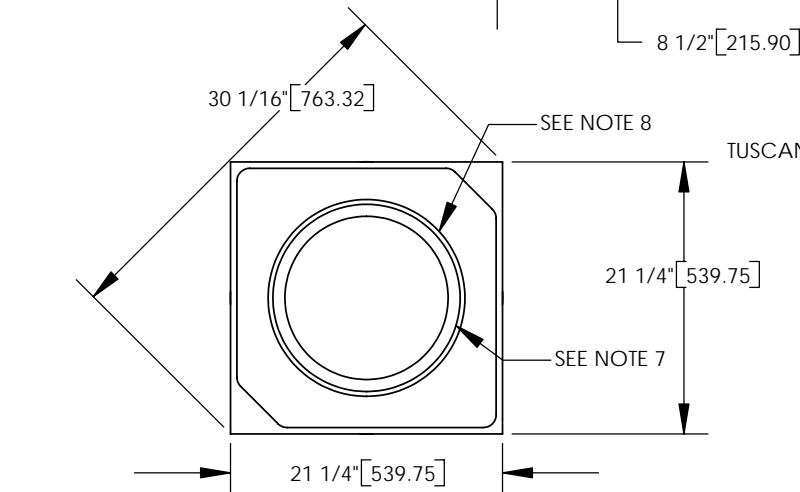
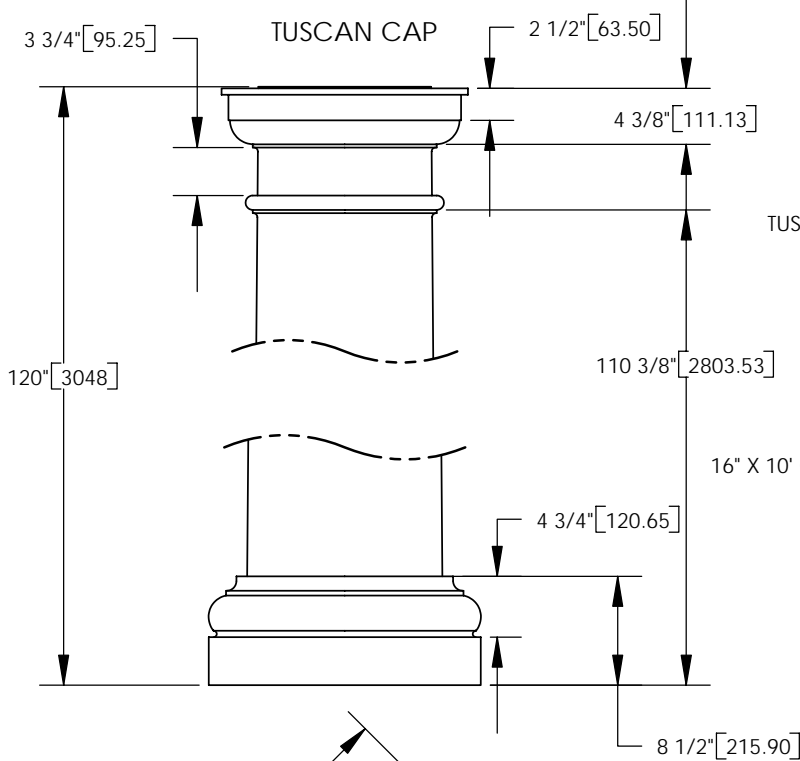
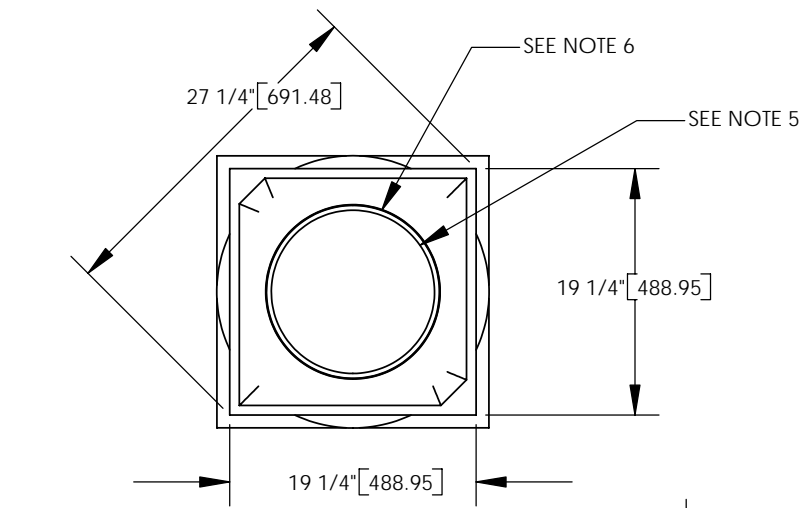


NOTES:

1. DIMENSIONS WITHIN THE PARENTHESES ARE METRIC UNITS (millimeters) or (Kg=Kilograms)
2. MATERIAL: FIBERGLASS REINFORCED POLYMER (FRP)
3. WEIGHT. COLUMN: 240 Lb. (108.9 Kg)
CAP: 26 Lb. (11.3 Kg)
BASE: 41 Lb. (18.6 Kg)
4. MATERIAL THICKNESS. COLUMN: 3/8" (9.5)
5. INSIDE DIAMETER AT TOP OF COLUMN: 12 3/4 (323.9)
6. OUTSIDE DIAMETER AT TOP OF COLUMN: 13 1/2 (342.9)
7. INSIDE DIAMETER AT BOTTOM OF COLUMN: 14 5/8 (371.5)
8. OUTSIDE DIAMETER AT BOTTOM OF COLUMN: 15 3/8 (390.5)
9. TAPER STARTS 12" (304.8) FROM BOTTOM OF COLUMN.



TUSCAN BASE

		DIMENSIONS ARE IN INCHES (mm)	
		TOLERANCES:	
		FRACTIONAL ± 1/8"	
		ANGULAR: MACH ±	
		BEND ±	
		TWO PLACE DECIMAL ±	
		THREE PLACE DECIMAL ±	
		MATERIAL --	
		FINISH --	
NEXT ASSY	USED ON		
APPLICATION		DO NOT SCALE DRAWING	

	NAME	DATE
DRAWN	SOF	
CHECKED		
ENG APPR.		
MFG APPR.		
Q.A.		
COMMENTS:		

© COPYRIGHT First Class Building Products, Inc. 2005		
16" X 10' TUSCAN COLUMN ASSEMBLY		
SIZE	DWG. NO.	REV.
A		01
SCALE: 1/15	WEIGHT:	SHEET 1 OF 1

Tel: (888) 514-8141
Fax: (770) 514-0731
E-Mail: firstclassbp@mindspring.com