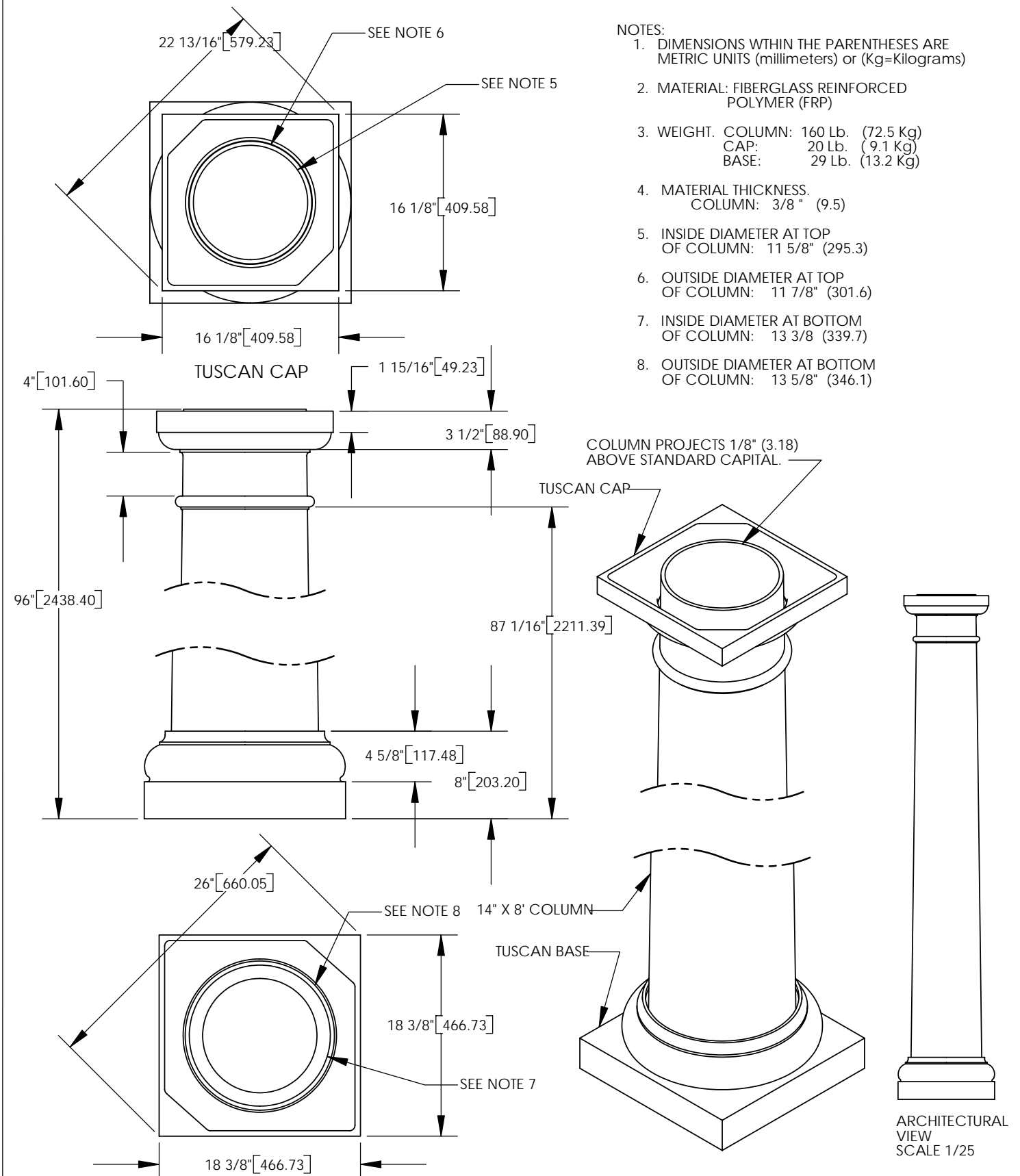


NOTES:

1. DIMENSIONS WITHIN THE PARENTHESES ARE METRIC UNITS (millimeters) or (Kg=Kilograms)
2. MATERIAL: FIBERGLASS REINFORCED POLYMER (FRP)
3. WEIGHT. COLUMN: 160 Lb. (72.5 Kg)
CAP: 20 Lb. (9.1 Kg)
BASE: 29 Lb. (13.2 Kg)
4. MATERIAL THICKNESS. COLUMN: 3/8" (9.5)
5. INSIDE DIAMETER AT TOP OF COLUMN: 11 5/8" (295.3)
6. OUTSIDE DIAMETER AT TOP OF COLUMN: 11 7/8" (301.6)
7. INSIDE DIAMETER AT BOTTOM OF COLUMN: 13 3/8" (339.7)
8. OUTSIDE DIAMETER AT BOTTOM OF COLUMN: 13 5/8" (346.1)



Tel: (888) 514-8141
Fax: (770) 514-0731
E-Mail: firstclassbp@mindspring.com

		DIMENSIONS ARE IN INCHES (mm)	
		TOLERANCES:	
		FRACTIONAL ± 1/8"	
		ANGULAR: MACH ±	
		BEND ±	
		TWO PLACE DECIMAL ±	
		THREE PLACE DECIMAL ±	
		MATERIAL --	
NEXT ASSY	USED ON	FINISH --	
APPLICATION		DO NOT SCALE DRAWING	

DRAWN	NAME	DATE
CHECKED		
ENG APPR.		
MFG APPR.		
Q.A.		
COMMENTS:		

© COPYRIGHT
First Class Building Products, Inc. 2005

14" X 8' TUSCAN COLUMN ASSEMBLY

SIZE	DWG. NO.	REV.
A		01
SCALE: 1/12	WEIGHT:	SHEET 1 OF 1