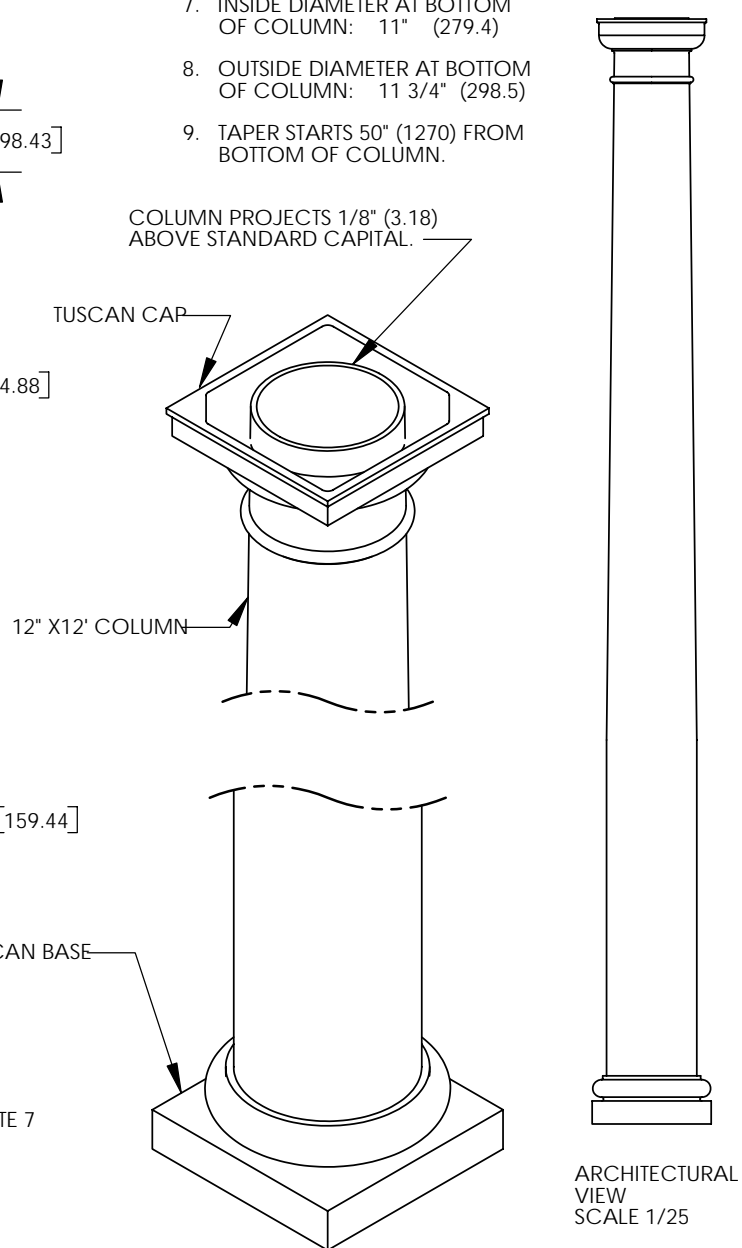


- NOTES:
1. DIMENSIONS WITHIN THE PARENTHESES ARE METRIC UNITS (millimeters) or (Kg=Kilograms)
 2. MATERIAL: FIBERGLASS REINFORCED POLYMER (FRP)
 3. WEIGHT. COLUMN: 150 Lb. (68.0 Kg)
CAP: 11 Lb. (5.0 Kg)
BASE: 17 Lb. (7.7 Kg)
 4. MATERIAL THICKNESS. COLUMN: 3/8" (9.5)
 5. INSIDE DIAMETER AT TOP OF COLUMN: 8 7/8 (225.4)
 6. OUTSIDE DIAMETER AT TOP OF COLUMN: 9 5/8" (244.5)
 7. INSIDE DIAMETER AT BOTTOM OF COLUMN: 11" (279.4)
 8. OUTSIDE DIAMETER AT BOTTOM OF COLUMN: 11 3/4" (298.5)
 9. TAPER STARTS 50" (1270) FROM BOTTOM OF COLUMN.



ARCHITECTURAL VIEW
SCALE 1/25

TUSCAN BASE

		DIMENSIONS ARE IN INCHES (mm)		NAME	DATE
		TOLERANCES: FRACTIONAL ± 1/8" ANGULAR: MACH ± BEND ± TWO PLACE DECIMAL ± THREE PLACE DECIMAL ±		DRAWN	SOF
		MATERIAL --		CHECKED	
		FINISH --		ENG APPR.	
NEXT ASSY	USED ON			MFG APPR.	
APPLICATION		DO NOT SCALE DRAWING		Q.A.	
				COMMENTS:	

© COPYRIGHT
First Class Building Products, Inc. 2005

12"X 12' TUSCAN COLUMN
ASSEMBLY

Tel: (888) 514-8141
Fax: (770) 514-0731
E-Mail: firstclassbp@mindspring.com

SIZE	DWG. NO.	REV.
A		01
SCALE: 1/12	WEIGHT:	SHEET 1 OF 1